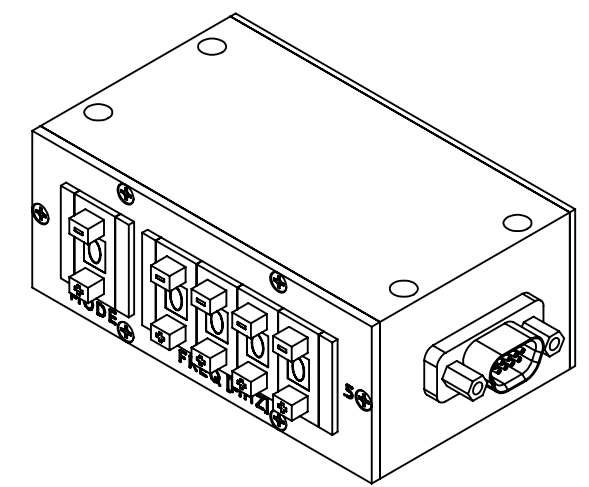
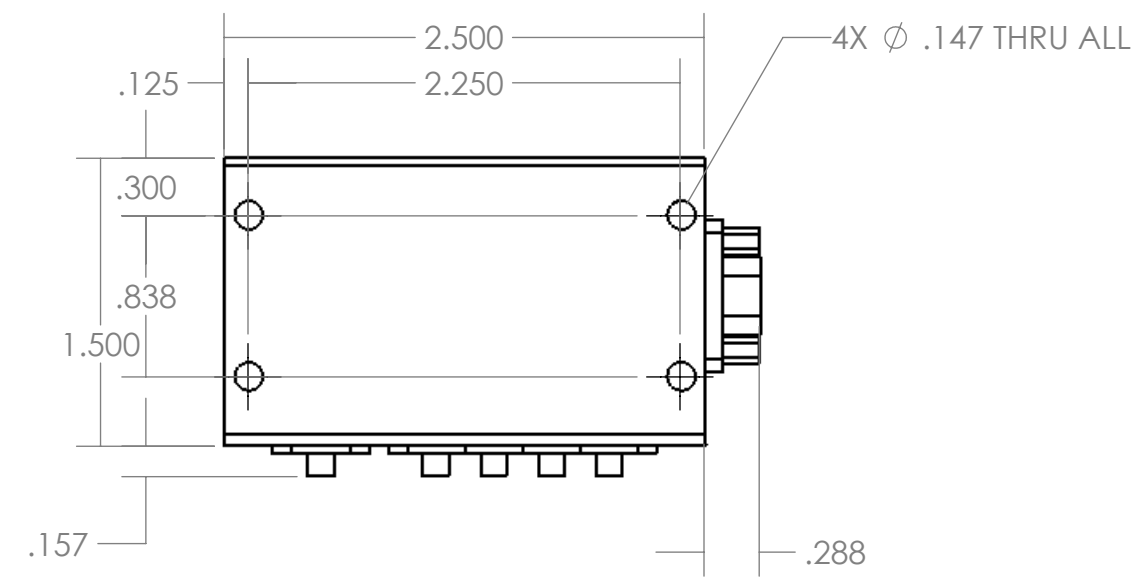


8 7 6 5 4 3 2 1

D



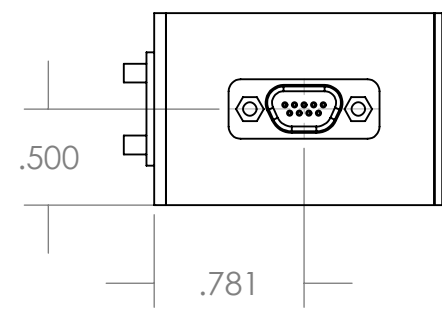
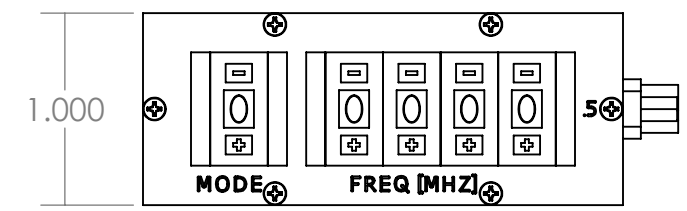
D

C

MOUNTING HARDWARE	TIGHTENING TORQUE	CLAMPING FORCE
#6	9.6 IN-LB +/- 10%	380 LB +/- 10%

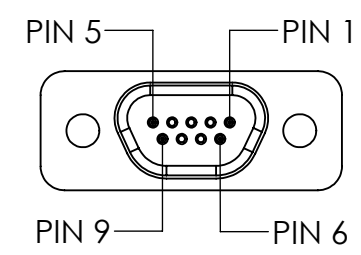
C

B



B

A



A

PROPRIETARY AND CONFIDENTIAL
 THE INFORMATION CONTAINED IN THIS DRAWING IS THE SOLE PROPERTY OF QUASONIX, LLC. ANY REPRODUCTION IN PART OR AS A WHOLE WITHOUT THE WRITTEN PERMISSION OF QUASONIX, LLC IS PROHIBITED.

		UNLESS OTHERWISE SPECIFIED:				NAME		DATE	
		DIMENSIONS ARE IN INCHES		DRAWN		NFE		2/21/14	
		TOLERANCES:		CHECKED					
		ANGULAR: MACH ±1 BEND ±1		ENG APPR.					
		TWO PLACE DECIMAL ±0.01		MFG APPR.					
		THREE PLACE DECIMAL ±0.003		Q.A.					
		INTERPRET GEOMETRIC TOLERANCING PER:		COMMENTS:					
		MATERIAL							
		FINISH							
NEXT ASSY		USED ON							
APPLICATION									
						TITLE:			
						TX FREQUENCY SWITCH BOX			
SIZE		DWG. NO.		REV					
B		QSX-TX-SWITCH-BOX-		A					
SCALE: 1:1		WEIGHT: 3.0 OZ		SHEET 1 OF 1					

8 7 6 5 4 3 2 1