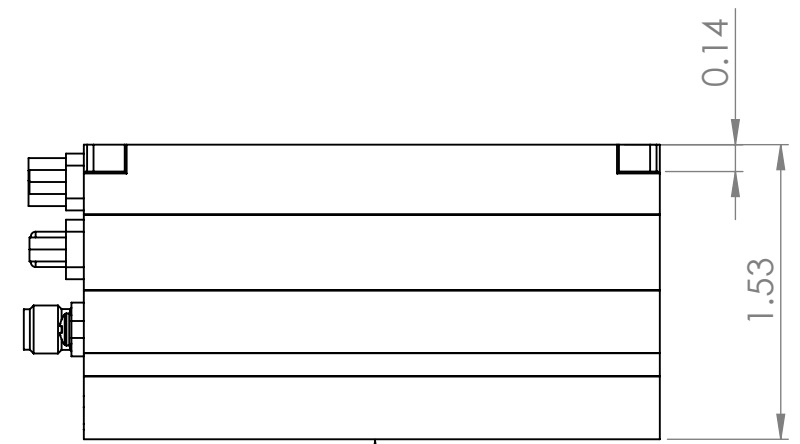
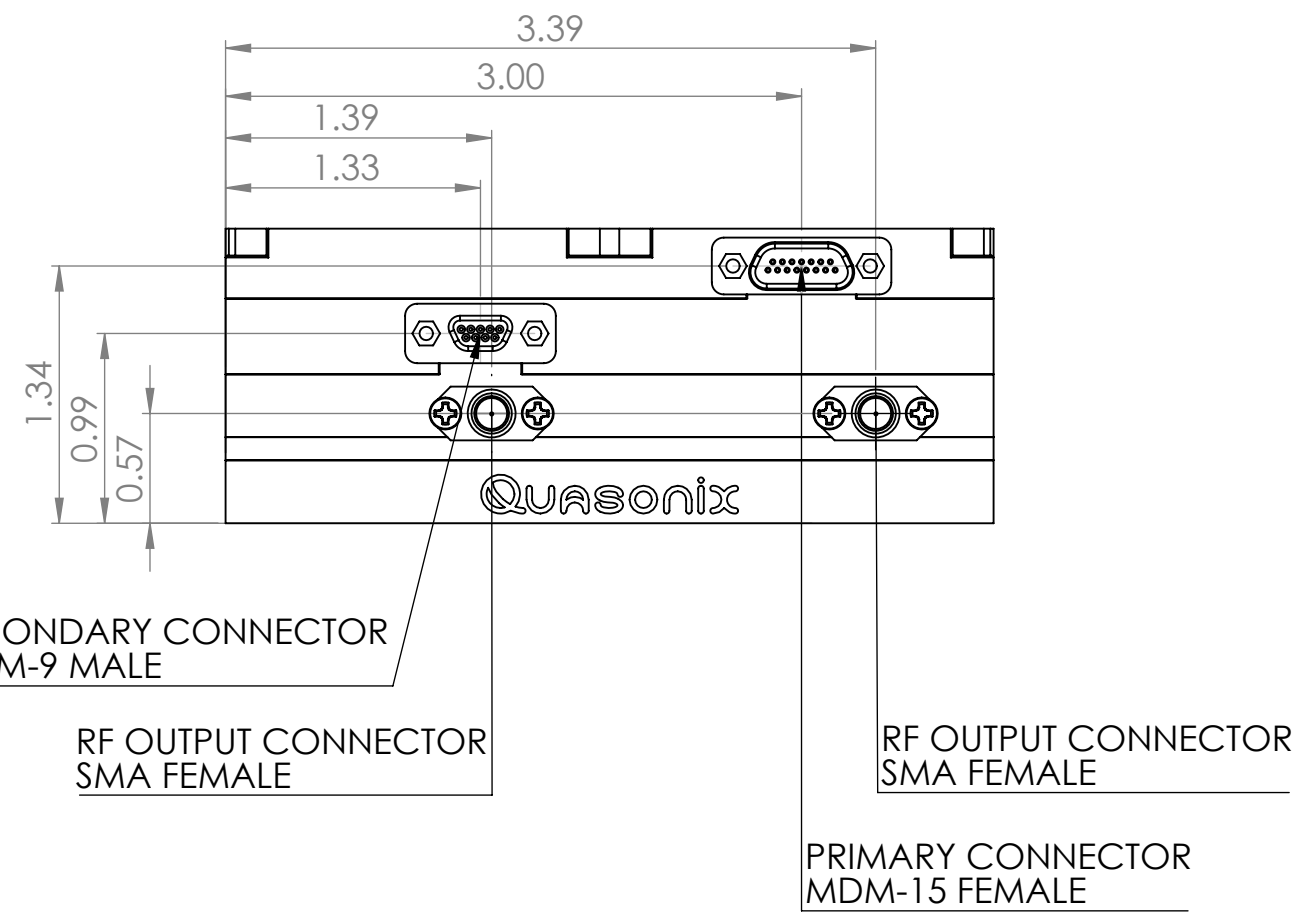
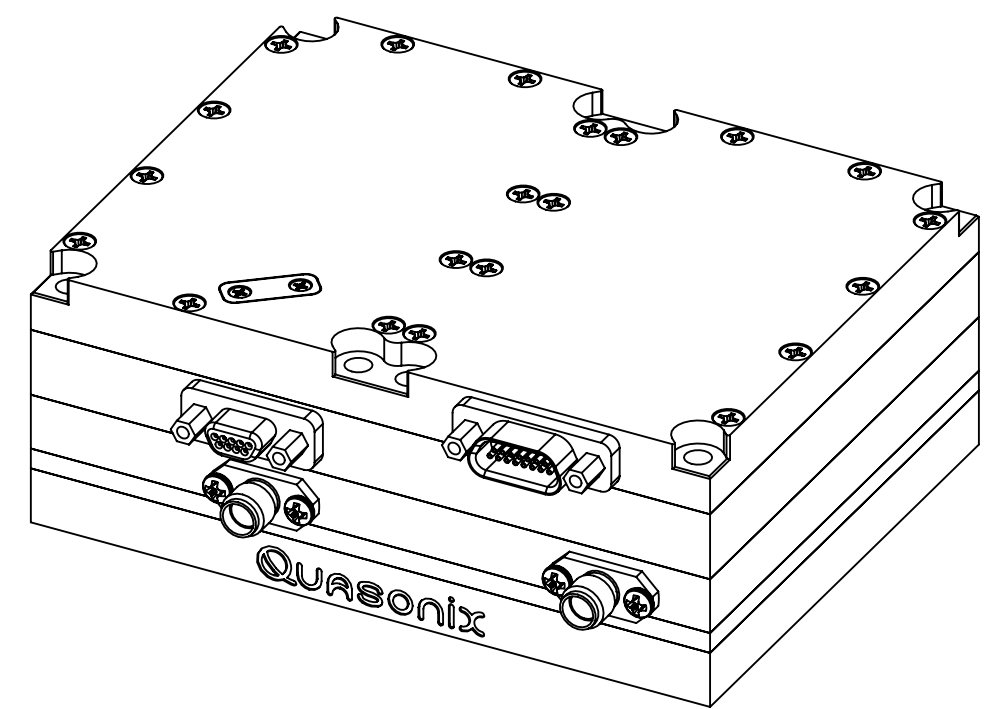
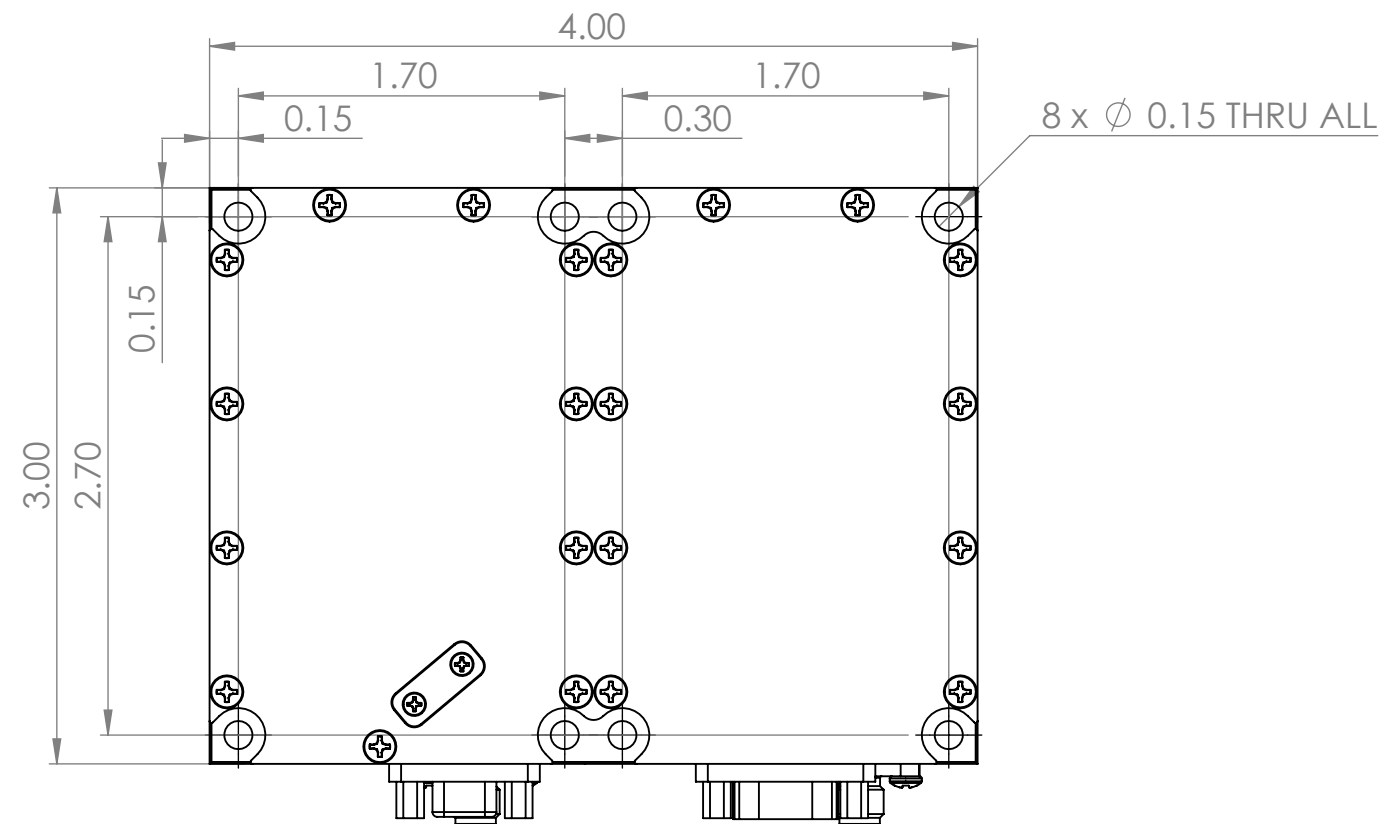


**PROPRIETARY AND CONFIDENTIAL**  
 THE INFORMATION CONTAINED IN THIS DRAWING IS THE SOLE PROPERTY OF QUASONIX INC. ANY REPRODUCTION IN PART OR AS A WHOLE WITHOUT THE WRITTEN PERMISSION OF QUASONIX INC. IS PROHIBITED.



HEAT SINK THIS SURFACE

UNLESS OTHERWISE SPECIFIED:  
 DIMENSIONS ARE IN INCHES  
 TOLERANCES ARE:  
 ANGULAR: MACH ±1 BEND ±1  
 ONE PLACE DECIMAL ±0.1  
 TWO PLACE DECIMAL ±0.01  
 THREE PLACE DECIMAL ±0.003  
 FRACTIONS ±1/32  
 DO NOT SCALE DRAWING

| HOLE DIA.        | TOLERANCE     |
|------------------|---------------|
| .0135 THRU .125  | +0.004 -0.001 |
| .126 THRU .250   | +0.005 -0.001 |
| .251 THRU .500   | +0.006 -0.001 |
| .501 THRU .750   | +0.008 -0.001 |
| .751 THRU 1.000  | +0.010 -0.001 |
| 1.001 THRU 2.000 | +0.012 -0.001 |

|           |        |
|-----------|--------|
| NAME      | DATE   |
| NFE       | 7/3/18 |
| ENG APPR. | 7/3/18 |
| MATERIAL: |        |
| FINISH:   |        |



|             |                  |              |
|-------------|------------------|--------------|
| TITLE: 18AF |                  |              |
| SIZE        | DWG. NO.         | REV          |
| <b>B</b>    | QS-TX-18AFXXX    | A            |
| SCALE: 1:1  | CAGE CODE: 3CJA9 | SHEET 1 OF 1 |