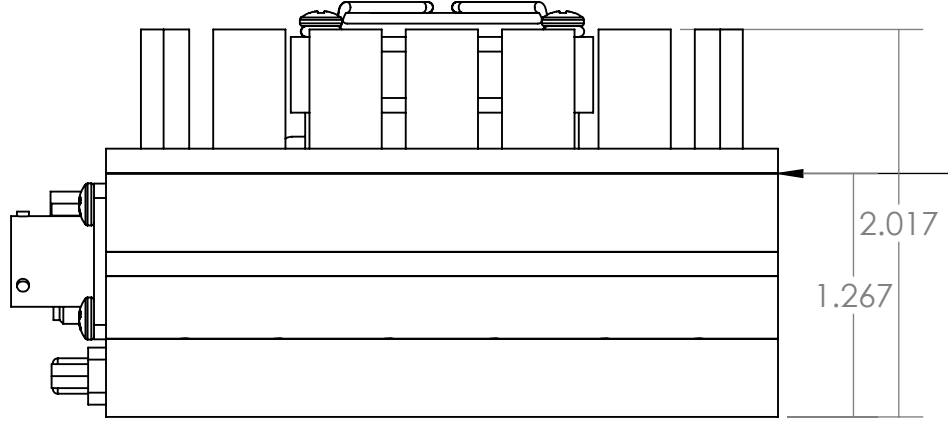
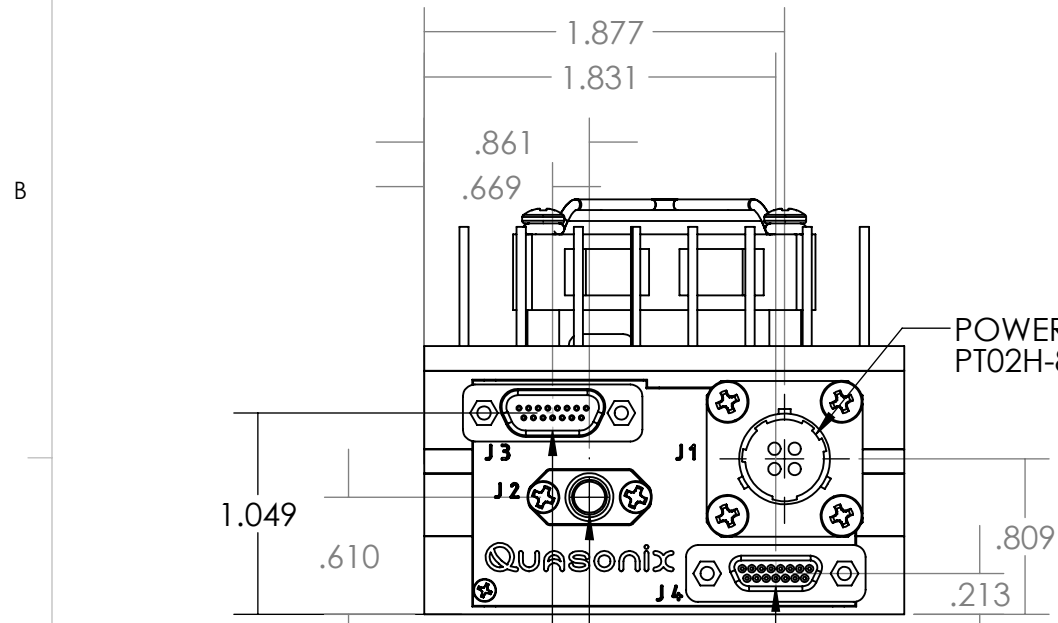


ALLOW FOR .5" CLEARANCE ABOVE HEAT SINK

| MOUNTING HARDWARE | TIGHTENING TORQUE | CLAMPING FORCE |
|-------------------|-------------------|----------------|
| #6 | 9.6 IN-LB +/- 10% | 380 LB +/- 10% |



IF FACTORY HEAT SINK IS NOT INSTALLED, HEAT SINK THIS SURFACE

FREQUENCY PROGRAMMING
MDM-15 FEMALE
M83513/04-B05N

TRANSMITTER INTERFACE
MDM-15 MALE
M83513/03-B05N

RF OUTPUT CONNECTOR
SMA FEMALE

PROPRIETARY AND CONFIDENTIAL
THE INFORMATION CONTAINED IN THIS DRAWING IS THE SOLE PROPERTY OF QUASONIX, LLC. ANY REPRODUCTION IN PART OR AS A WHOLE WITHOUT THE WRITTEN PERMISSION OF QUASONIX, LLC IS PROHIBITED.

| UNLESS OTHERWISE SPECIFIED: | |
|--------------------------------------|---------|
| DIMENSIONS ARE IN INCHES | |
| TOLERANCES: | |
| ANGULAR: MACH ±1 BEND ±1 | |
| TWO PLACE DECIMAL ±0.01 | |
| THREE PLACE DECIMAL ±0.003 | |
| INTERPRET GEOMETRIC TOLERANCING PER: | |
| MATERIAL | |
| FINISH | |
| NEXT ASSY | USED ON |
| APPLICATION | |

| NAME | DATE |
|---------------|--------|
| DRAWN NFE | 1/6/14 |
| CHECKED DEF | 1/8/14 |
| ENG APPR. BJH | 1/8/14 |
| MFG APPR. | |
| Q.A. | |
| COMMENTS: | |

| POWER | WEIGHT |
|--------|----------|
| XXXXXX | XX.XX OZ |



TITLE: 17AB

| SIZE | DWG. NO. | REV |
|----------|-------------|-----|
| B | QSX-TX-17AB | - |

SCALE: 1:1 WEIGHT: ABOVE SHEET 1 OF 1