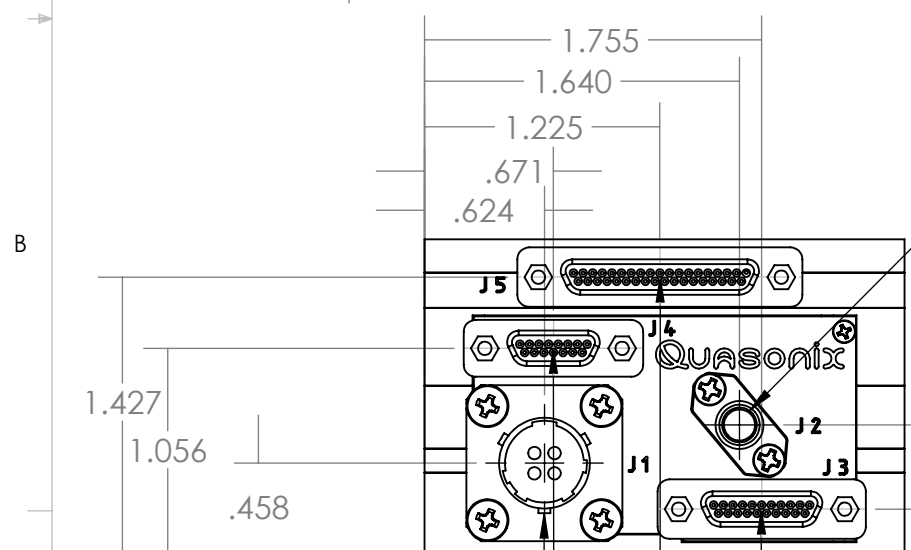
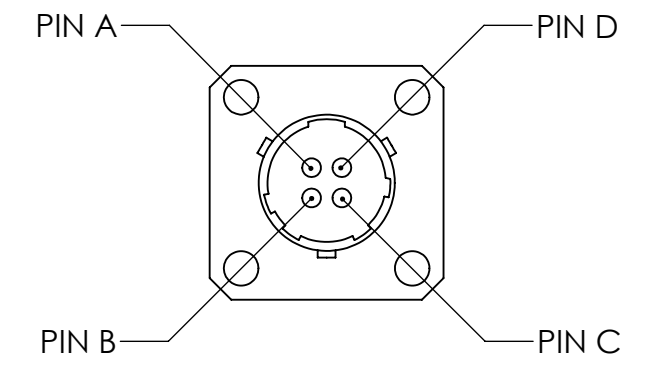
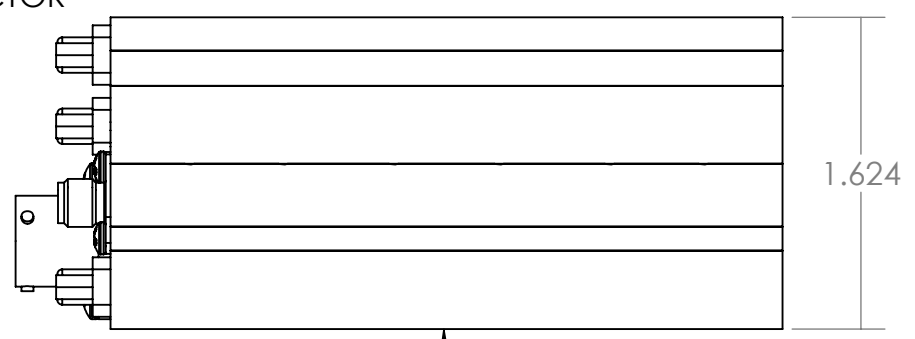


MOUNTING HARDWARE	TIGHTENING TORQUE	CLAMPING FORCE
#6	9.6 IN-LB +/- 10%	380 LB +/- 10%



RF OUTPUT CONNECTOR
SMA FEMALE



INPUT POWER CONNECTOR
MS3112E8-4P

TERMINAL CONTROL CONNECTOR
M83513/03-C06N

INPUT PCM CONNECTOR
M83513/03-B06N

PARALLEL CONTROL PORT CONNECTOR
M83513/03-F06N

PROPRIETARY AND CONFIDENTIAL
THE INFORMATION CONTAINED IN THIS DRAWING IS THE SOLE PROPERTY OF QUASONIX, LLC. ANY REPRODUCTION IN PART OR AS A WHOLE WITHOUT THE WRITTEN PERMISSION OF QUASONIX, LLC IS PROHIBITED.

UNLESS OTHERWISE SPECIFIED:	
DIMENSIONS ARE IN INCHES	
TOLERANCES:	
ANGULAR: MACH ±1 BEND ±1	
TWO PLACE DECIMAL ±0.01	
THREE PLACE DECIMAL ±0.003	
INTERPRET GEOMETRIC TOLERANCING PER:	
MATERIAL	
FINISH	
NEXT ASSY	USED ON
APPLICATION	

POWER LEVEL	WEIGHT
ALL	XX.X OZ



TITLE: 14AD

SIZE	DWG. NO.	REV
B	QSX-TX-14AD	-

SCALE: 1:1 WEIGHT: ABOVE SHEET 1 OF 1