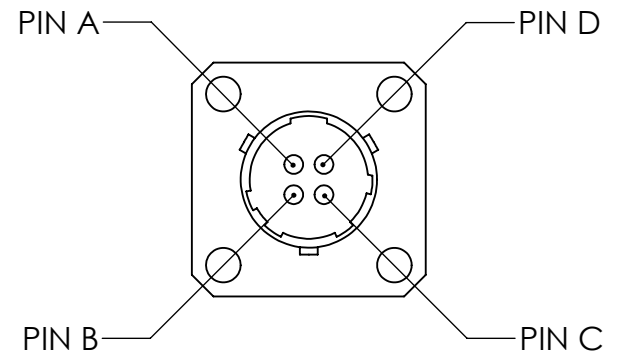
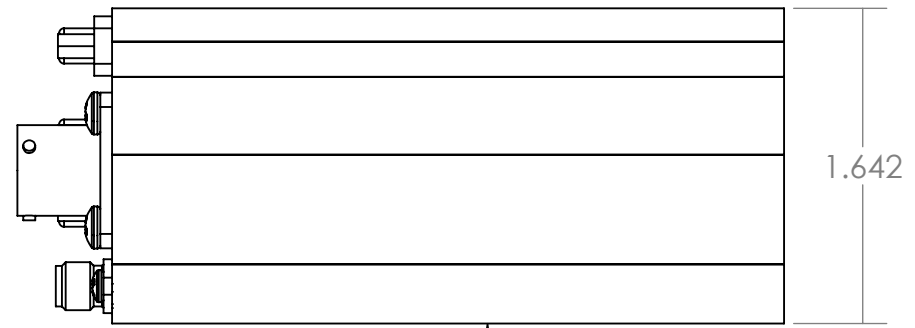
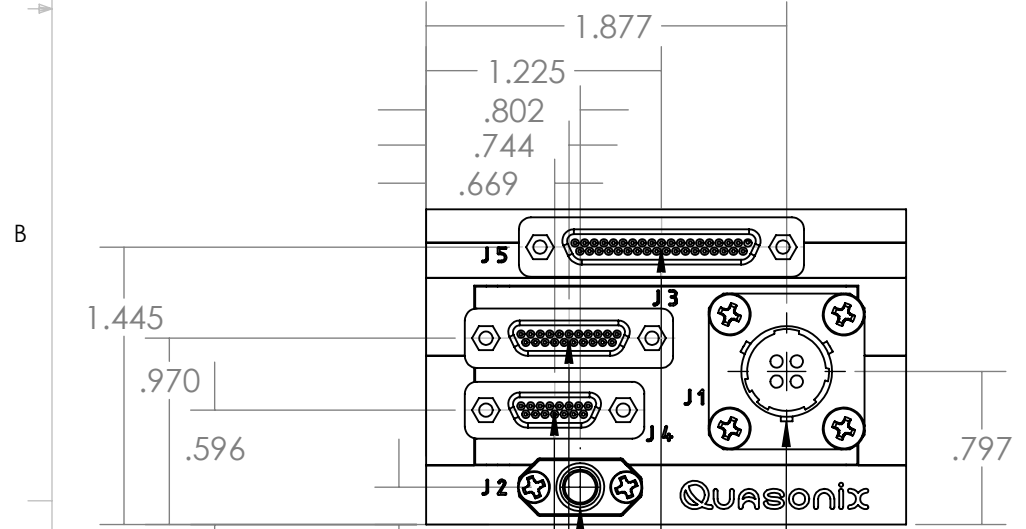


| MOUNTING HARDWARE | TIGHTENING TORQUE | CLAMPING FORCE |
|-------------------|-------------------|----------------|
| #6 | 9.6 IN-LB +/- 10% | 380 LB +/- 10% |



- INPUT PCM CONNECTOR M83513/03-B06N
- INPUT POWER CONNECTOR MS3112E8-4P
- PARALLEL CONTROL PORT CONNECTOR M83513/03-F06N
- RF OUTPUT CONNECTOR SMA FEMALE
- TERMINAL CONTROL CONNECTOR M83513/03-C06N

PROPRIETARY AND CONFIDENTIAL
 THE INFORMATION CONTAINED IN THIS DRAWING IS THE SOLE PROPERTY OF QUASONIX, LLC. ANY REPRODUCTION IN PART OR AS A WHOLE WITHOUT THE WRITTEN PERMISSION OF QUASONIX, LLC IS PROHIBITED.

| UNLESS OTHERWISE SPECIFIED: | |
|--------------------------------------|---------|
| DIMENSIONS ARE IN INCHES | |
| TOLERANCES: | |
| ANGULAR: MACH ±1 BEND ±1 | |
| TWO PLACE DECIMAL ±0.01 | |
| THREE PLACE DECIMAL ±0.003 | |
| INTERPRET GEOMETRIC TOLERANCING PER: | |
| MATERIAL | |
| FINISH | |
| APPLICATION | |
| NEXT ASSY | USED ON |

| NAME | DATE |
|-----------|---------|
| DRAWN NFE | 4/25/14 |
| CHECKED | |
| ENG APPR. | |
| MFG APPR. | |
| Q.A. | |
| COMMENTS: | |

| POWER LEVEL | WEIGHT |
|----------------------------|----------------------|
| ALL | XX.X OZ |
| Quasonix | |
| TITLE: 14AB | |
| SIZE B | DWG. NO. QSX-TX-14AB |
| SCALE: 1:1 | REV - |
| WEIGHT: ABOVE SHEET 1 OF 1 | |