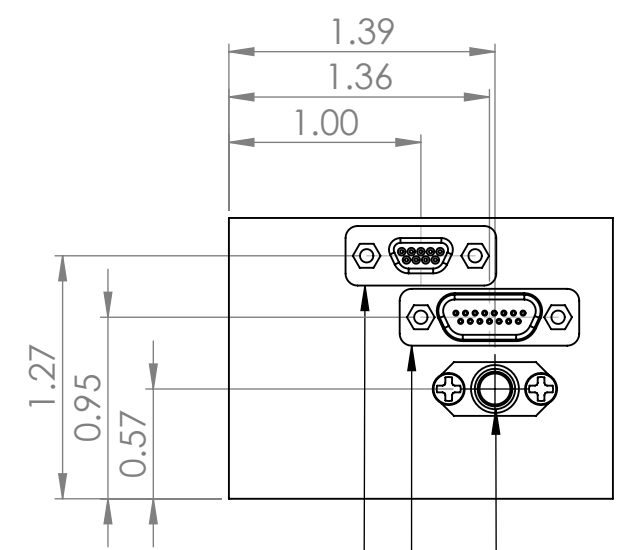
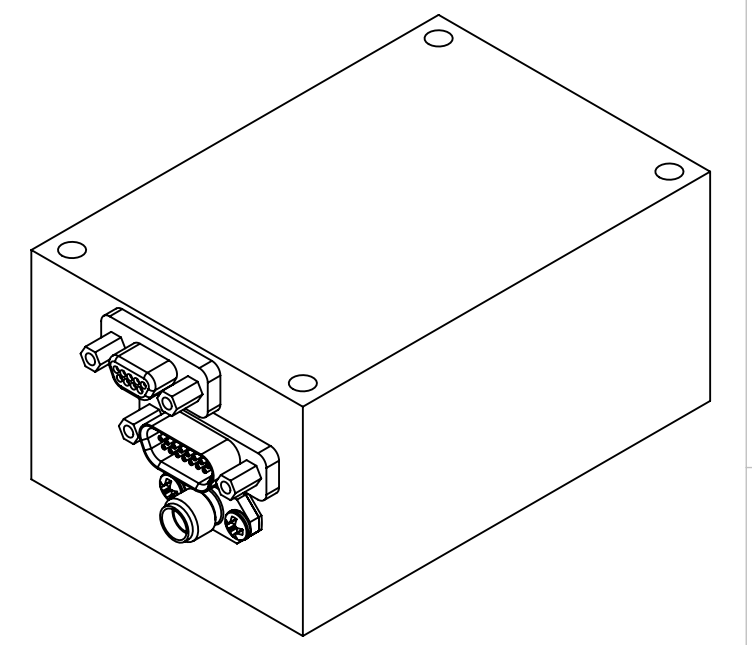
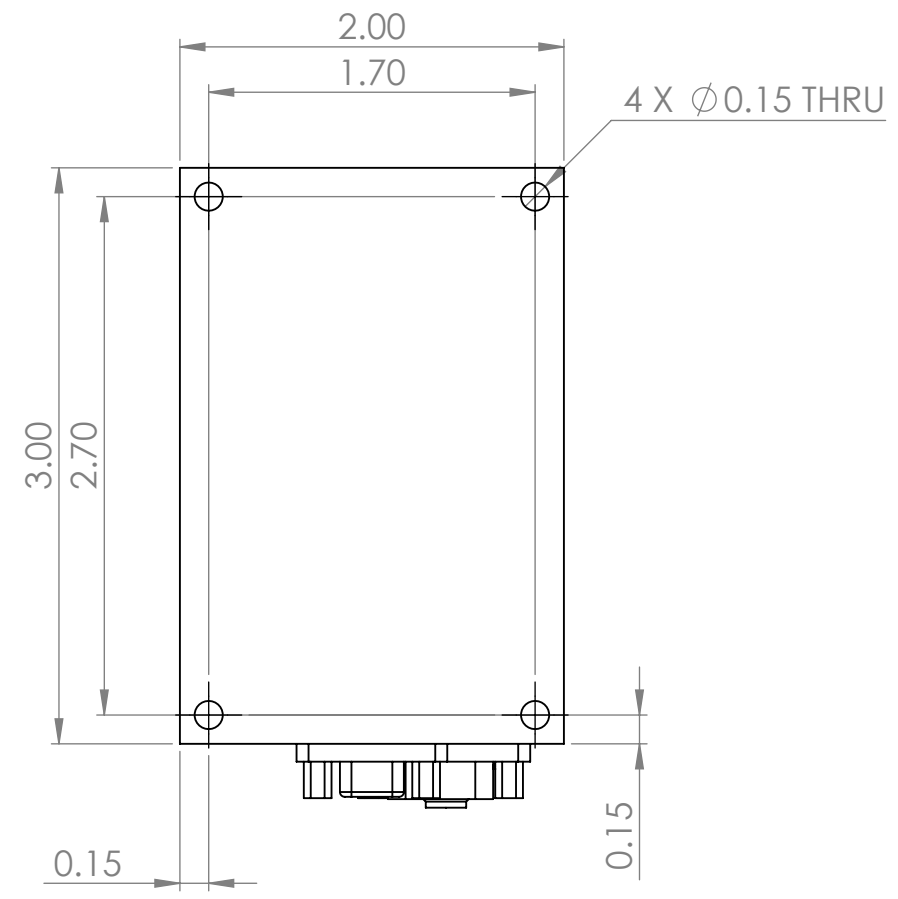


**PROPRIETARY AND CONFIDENTIAL**  
 THE INFORMATION CONTAINED IN THIS DRAWING IS THE SOLE PROPERTY OF QUASONIX INC. ANY REPRODUCTION IN PART OR AS A WHOLE WITHOUT THE WRITTEN PERMISSION OF QUASONIX INC. IS PROHIBITED.



SECONDARY CONNECTOR  
 MDM-15 MALE (M83513/03-A)

PRIMARY CONNECTOR  
 MDM-15 FEMALE (M83513/04-B)

RF OUTPUT CONNECTOR  
 SMA FEMALE



HEAT SINK THIS SURFACE

UNLESS OTHERWISE SPECIFIED:  
 DIMENSIONS ARE IN INCHES  
 TOLERANCES ARE:  
 ANGULAR: MACH ±1 BEND ±1  
 ONE PLACE DECIMAL ±0.1  
 TWO PLACE DECIMAL ±0.01  
 THREE PLACE DECIMAL ±0.003  
 FRACTIONS ±1/32  
 DO NOT SCALE DRAWING

HOLE DIA.	TOLERANCE
.0135 THRU .125	+0.004 -0.001
.126 THRU .250	+0.005 -0.001
.251 THRU .500	+0.006 -0.001
.501 THRU .750	+0.008 -0.001
.751 THRU 1.000	+0.010 -0.001
1.001 THRU 2.000	+0.012 -0.001

	NAME	DATE
DRAWN	NFE	10/20/2020
ENG APPR.	NFE	10/20/2020
MATERIAL:		
FINISH:		



TITLE: 08AS		
SIZE <b>B</b>	DWG. NO. QS-TX-08ASXXX	REV A
SCALE: 1:1	CAGE CODE: 3CJA9	SHEET 1 OF 1