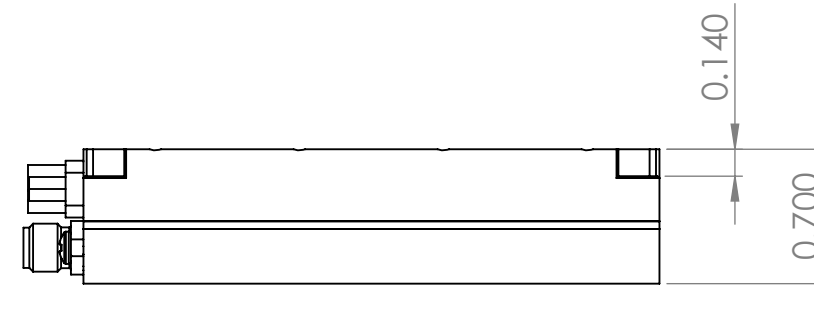
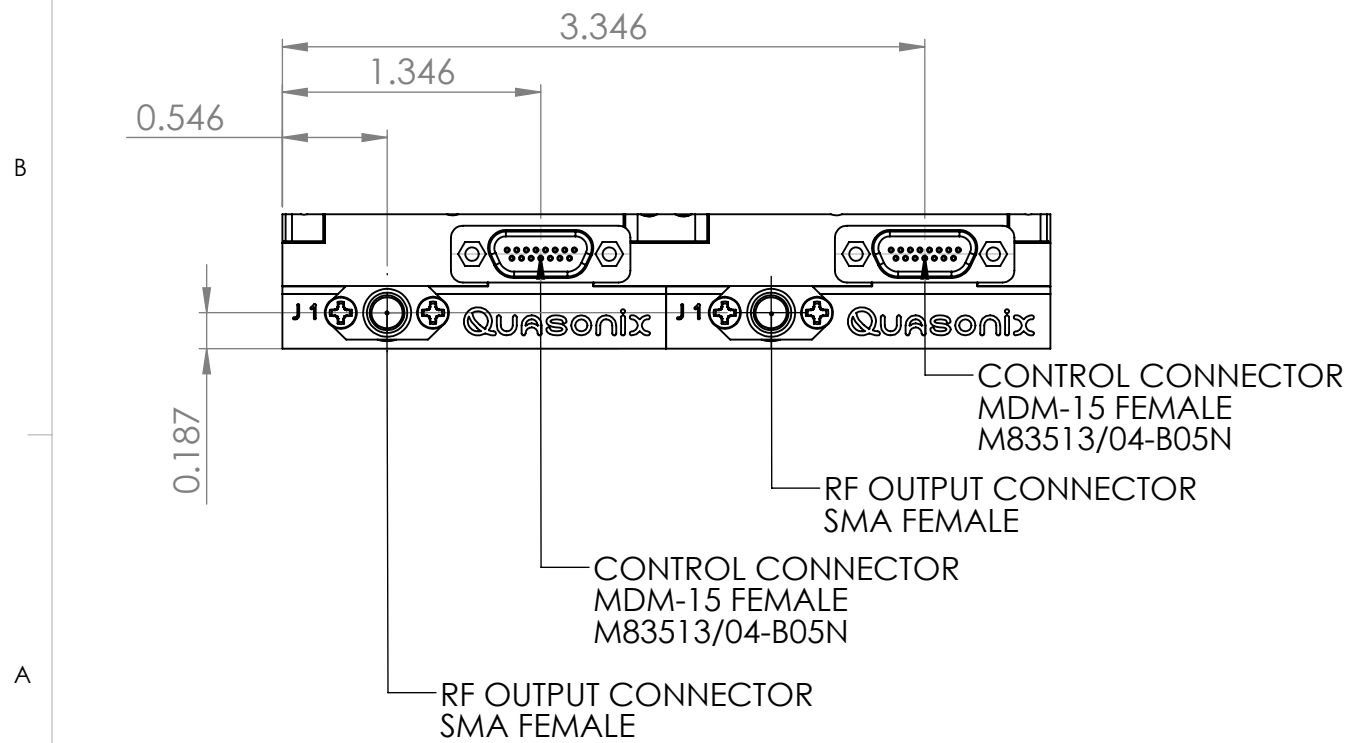



MOUNTING HARDWARE	TIGHTENING TORQUE	CLAMPING FORCE
#6 (MINIMUM SCREW LENGTH: 3/4")	9.6 IN-LB +/- 10%	380 LB +/- 10%



PROPRIETARY AND CONFIDENTIAL
THE INFORMATION CONTAINED IN THIS DRAWING IS THE SOLE PROPERTY OF QUASONIX INC. ANY REPRODUCTION IN PART OR AS A WHOLE WITHOUT THE WRITTEN PERMISSION OF QUASONIX INC. IS PROHIBITED.

UNLESS OTHERWISE SPECIFIED:		NAME	DATE	 TITLE: 08AM
DIMENSIONS ARE IN INCHES		DRAWN	NFE	
TOLERANCES:		CHECKED	DEF	10/22/15
ANGULAR: MACH ±1 BEND ±1		ENG APPR.	BJH	10/22/15
TWO PLACE DECIMAL ±0.01		MFG APPR.		
THREE PLACE DECIMAL ±0.003		Q.A.		
INTERPRET GEOMETRIC TOLERANCING PER:		COMMENTS:		
MATERIAL				
FINISH				
SIZE	DWG. NO.	REV		
B	QS-TX-08AM	-		
SCALE: 1:1		SHEET 1 OF 1		