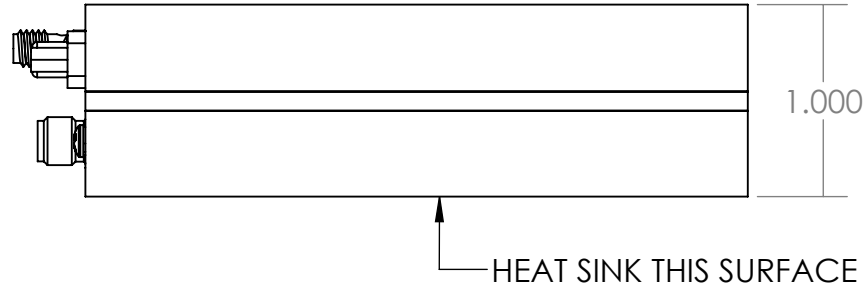
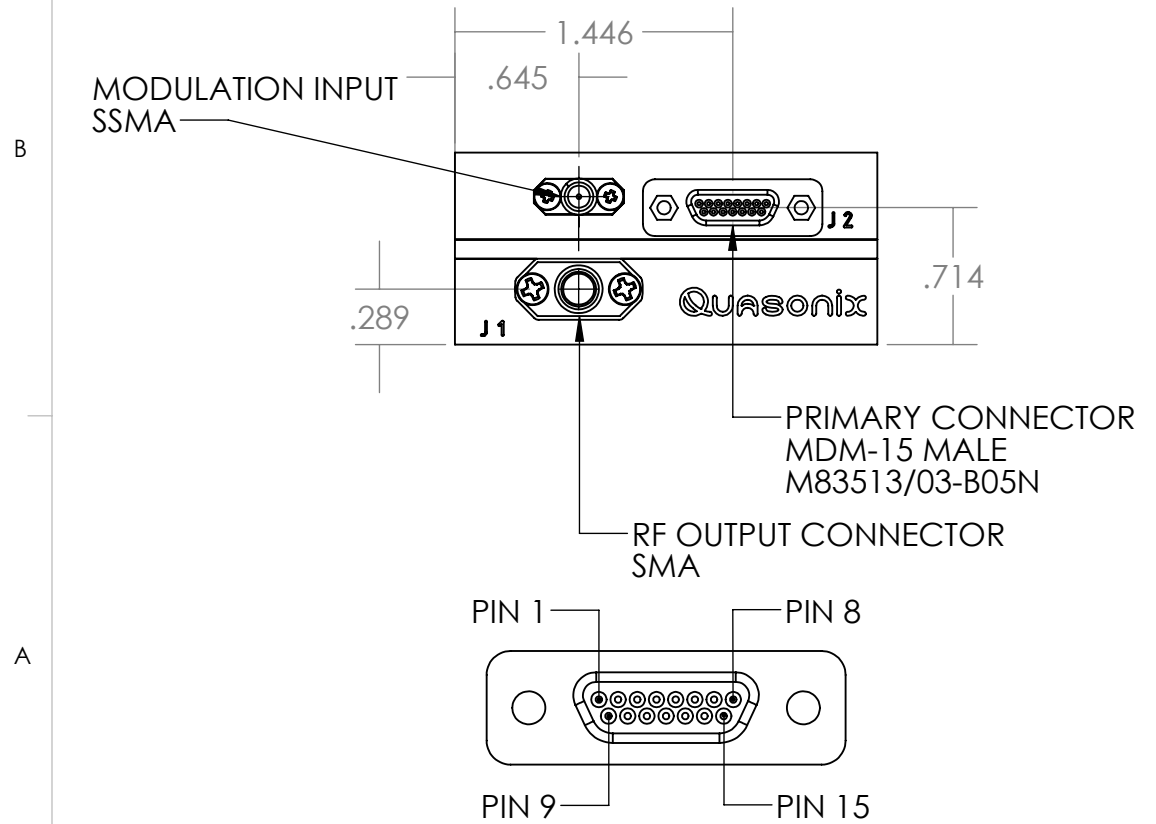




MOUNTING HARDWARE	TIGHTENING TORQUE	CLAMPING FORCE
#6	9.6 IN-LB +/- 10%	380 LB +/- 10%



POWER	WEIGHT
XXXXX	XX.XX OZ
XXXXX	XX.XX OZ

<p><b>PROPRIETARY AND CONFIDENTIAL</b> THE INFORMATION CONTAINED IN THIS DRAWING IS THE SOLE PROPERTY OF QUASONIX INC. ANY REPRODUCTION IN PART OR AS A WHOLE WITHOUT THE WRITTEN PERMISSION OF QUASONIX INC. IS PROHIBITED.</p>		UNLESS OTHERWISE SPECIFIED:		NAME	DATE	
		DIMENSIONS ARE IN INCHES TOLERANCES: ANGULAR: MACH ±1 BEND ±1 TWO PLACE DECIMAL ±0.01 THREE PLACE DECIMAL ±0.003		DRAWN	NFE	
NEXT ASSY		USED ON		ENG APPR.		TITLE:
APPLICATION				MFG APPR.		08AE
				Q.A.		SIZE
				COMMENTS:		DWG. NO.
						QSX-TX-08AE
						REV
						A
						SCALE: 1:1
						WEIGHT: ABOVE SHEET 1 OF 1