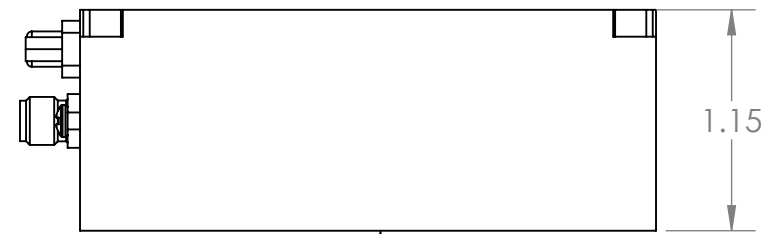
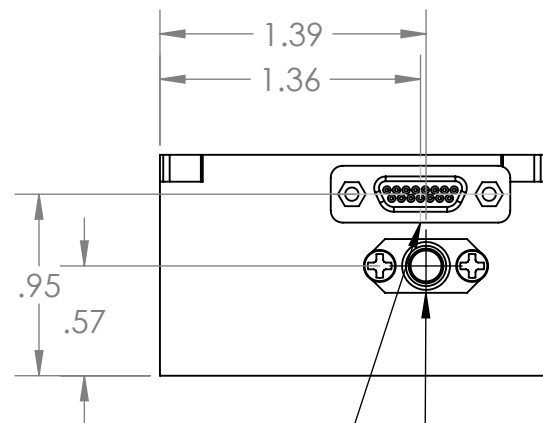
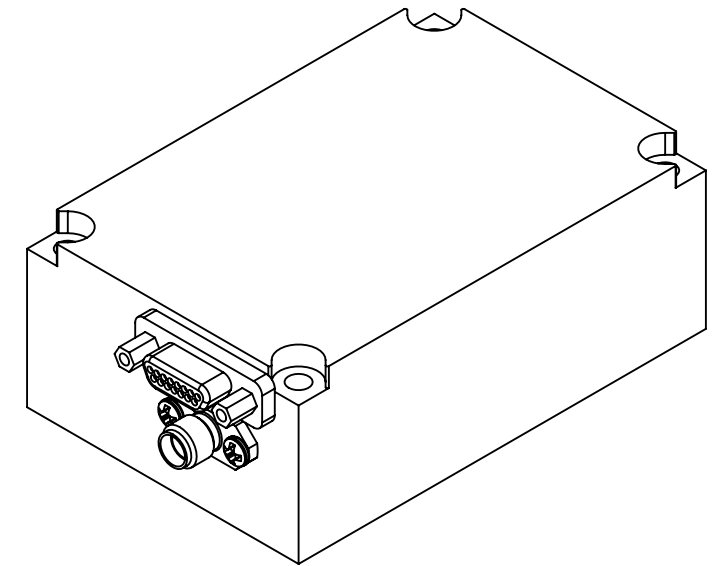
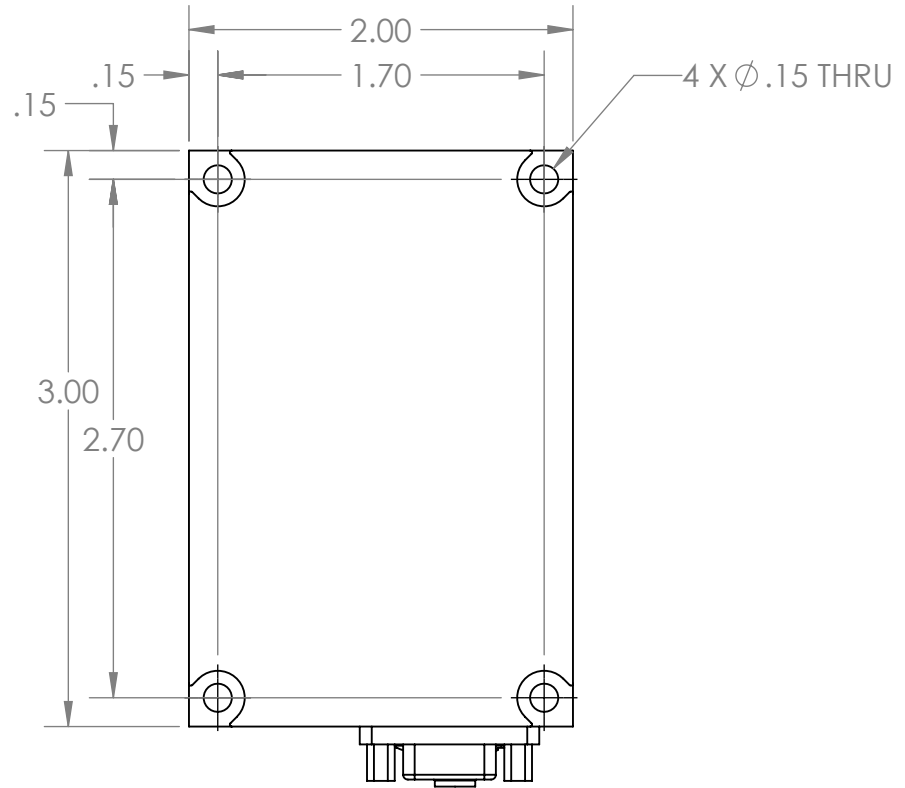


PROPRIETARY AND CONFIDENTIAL
 THE INFORMATION CONTAINED IN THIS DRAWING IS THE SOLE PROPERTY OF QUASONIX INC. ANY REPRODUCTION IN PART OR AS A WHOLE WITHOUT THE WRITTEN PERMISSION OF QUASONIX INC. IS PROHIBITED.

REVISIONS		
REV.	DESCRIPTION	DATE
A	INITIAL RELEASE	2/18/2025



HEAT SINK THIS SURFACE

INTERFACE CONNECTOR
 M83513/03-B (MDM-15 MALE)

RF OUTPUT
 SMA FEMALE

UNLESS OTHERWISE SPECIFIED:
 DIMENSIONS ARE IN INCHES
 TOLERANCES ARE:
 ANGULAR: MACH ±1 BEND ±1
 ONE PLACE DECIMAL ±0.1
 TWO PLACE DECIMAL ±0.01
 THREE PLACE DECIMAL ±0.003
 FRACTIONS ±1/32
 DO NOT SCALE DRAWING

HOLE DIA.	TOLERANCE
.0135 THRU .125	+0.04 -0.01
.126 THRU .250	+0.05 -0.01
.251 THRU .500	+0.06 -0.01
.501 THRU .750	+0.08 -0.01
.751 THRU 1.000	+0.10 -0.01
1.001 THRU 2.000	+0.12 -0.01

	NAME	DATE
DRAWN	NFE	02/18/2025
ENG APPR.	NFE	02/18/2025
MATERIAL:		
FINISH:		

QUASONIX

TITLE: 07BJ		
SIZE B	DWG. NO. QS-TX-07BJXXX	REV A
SCALE: 1:1	CAGE CODE: 3CJA9	SHEET 1 OF 1