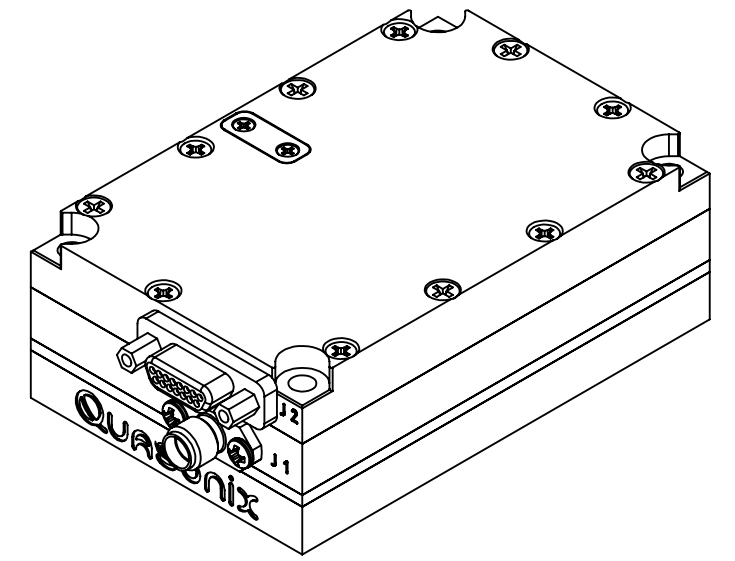
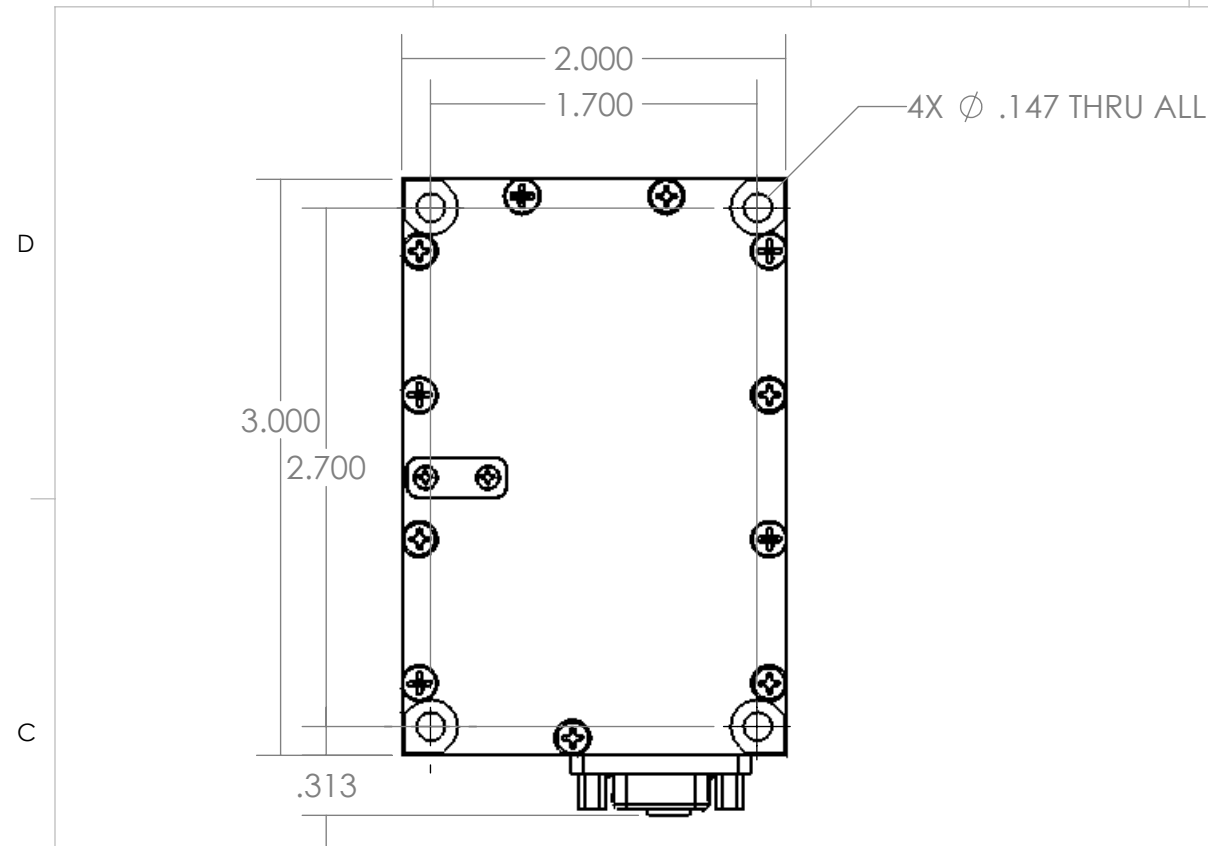
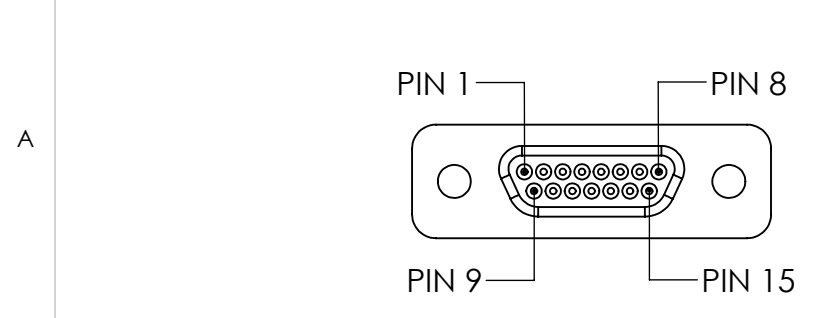
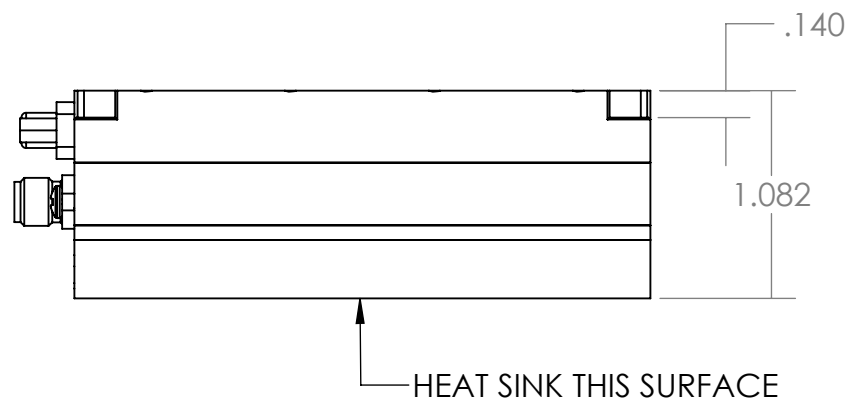
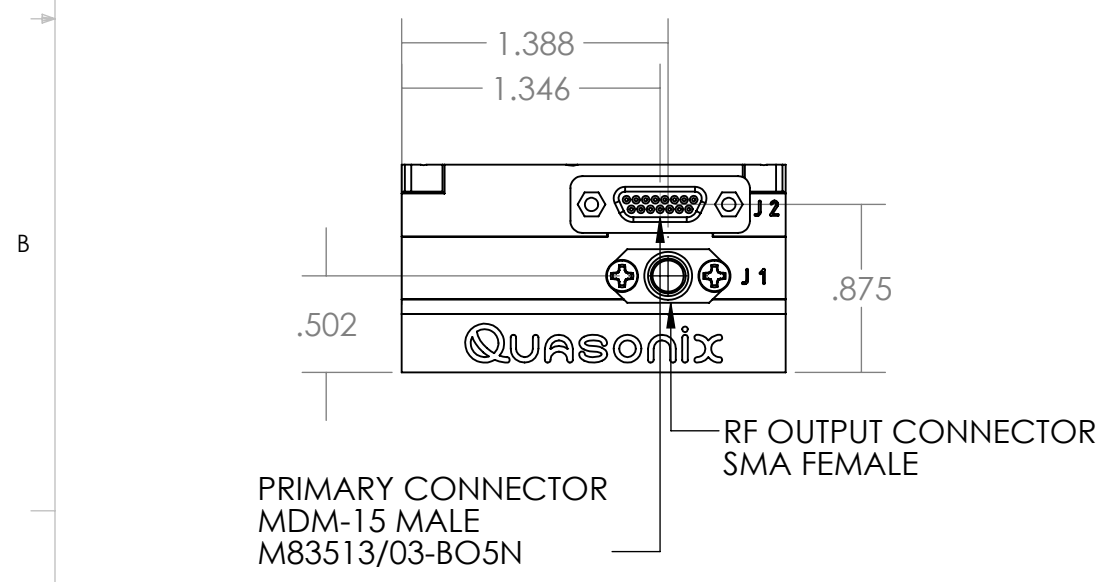


8 7 6 5 4 3 2 1



MOUNTING HARDWARE	TIGHTENING TORQUE	CLAMPING FORCE
#6	9.6 IN-LB +/- 10%	380 LB +/- 10%



POWER LEVEL	WEIGHT
XXXXXX	XX.XX OZ
XXXXXX	XX.XX OZ

**PROPRIETARY AND CONFIDENTIAL**  
THE INFORMATION CONTAINED IN THIS DRAWING IS THE SOLE PROPERTY OF QUASONIX, LLC. ANY REPRODUCTION IN PART OR AS A WHOLE WITHOUT THE WRITTEN PERMISSION OF QUASONIX, LLC IS PROHIBITED.

UNLESS OTHERWISE SPECIFIED:		NAME	DATE
DIMENSIONS ARE IN INCHES		DRAWN	NFE 1/24/14
TOLERANCES:		CHECKED	
ANGULAR: MACH ±1 BEND ±1		ENG APPR.	
TWO PLACE DECIMAL ±0.01		MFG APPR.	
THREE PLACE DECIMAL ±0.003		Q.A.	
INTERPRET GEOMETRIC TOLERANCING PER:		COMMENTS:	
MATERIAL			
FINISH			
NEXT ASSY	USED ON		
APPLICATION			

**Quasonix**

TITLE: 07AG

SIZE <b>B</b>	DWG. NO. QSX-TX-07AG	REV -
SCALE: 1:1		WEIGHT: ABOVE SHEET 1 OF 1

8 7 6 5 4 3 2 1