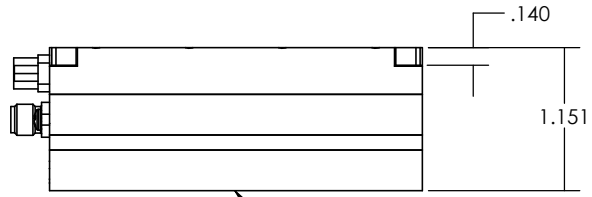
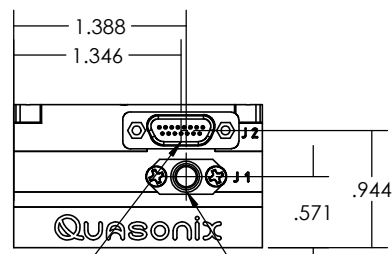
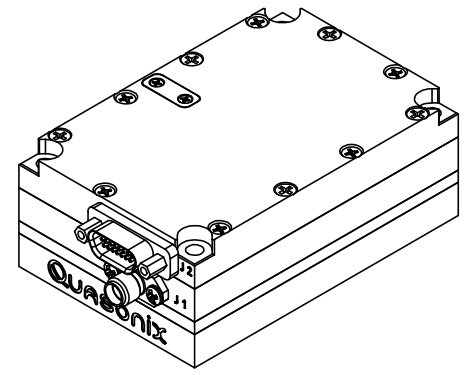
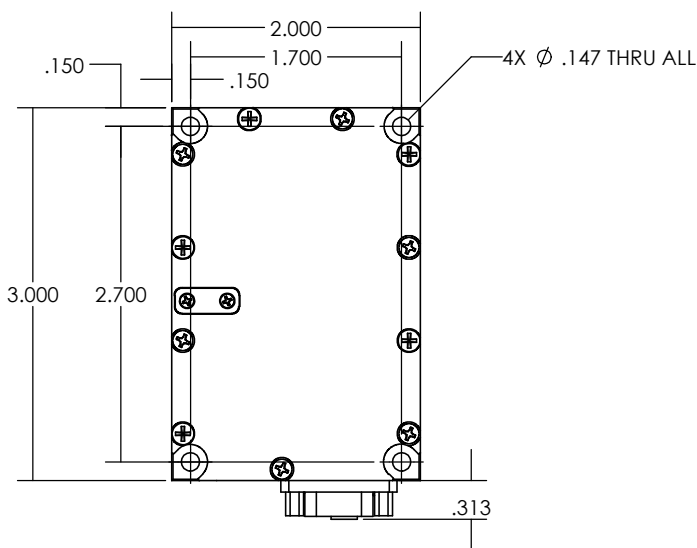
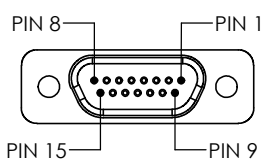


8 7 6 5 4 3 2 1



PRIMARY CONNECTOR  
MDM-15 FEMALE  
M83513/04-B05N

RF OUTPUT CONNECTOR  
SMA FEMALE



POWER	WEIGHT
XXXX	XX.XX OZ
XXXX	XX.XX OZ

**PROPRIETARY AND CONFIDENTIAL**  
THE INFORMATION CONTAINED IN THIS DRAWING IS THE SOLE PROPERTY OF QUASONIX, LLC. ANY REPRODUCTION IN PART OR AS A WHOLE WITHOUT THE WRITTEN PERMISSION OF QUASONIX, LLC IS PROHIBITED.

		UNLESS OTHERWISE SPECIFIED:		NAME	DATE
		DIMENSIONS ARE IN INCHES		BJH	11/20/13
		TOLERANCES:		CHECKED	
		ANGULAR: MACH ±1 BEND ±1		ENG APPR.	
		TWO PLACE DECIMAL ±0.01		MFG APPR.	
		THREE PLACE DECIMAL ±0.003		Q.A.	
		INTERPRET GEOMETRIC TOLERANCING PER:		COMMENTS:	
		MATERIAL			
		FINISH			
NEXT ASSY	USED ON				
APPLICATION					

	NAME	DATE
	BJH	11/20/13
	CHECKED	
	ENG APPR.	
	MFG APPR.	
	Q.A.	
	COMMENTS:	

<b>Quasonix</b>		
TITLE: 07AD		
SIZE	DWG. NO.	REV
<b>B</b>	Qsx-TX-07AD	-
SCALE: 1:1	WEIGHT: ABOVE	SHEET 1 OF 1

8 7 6 5 4 3 2 1