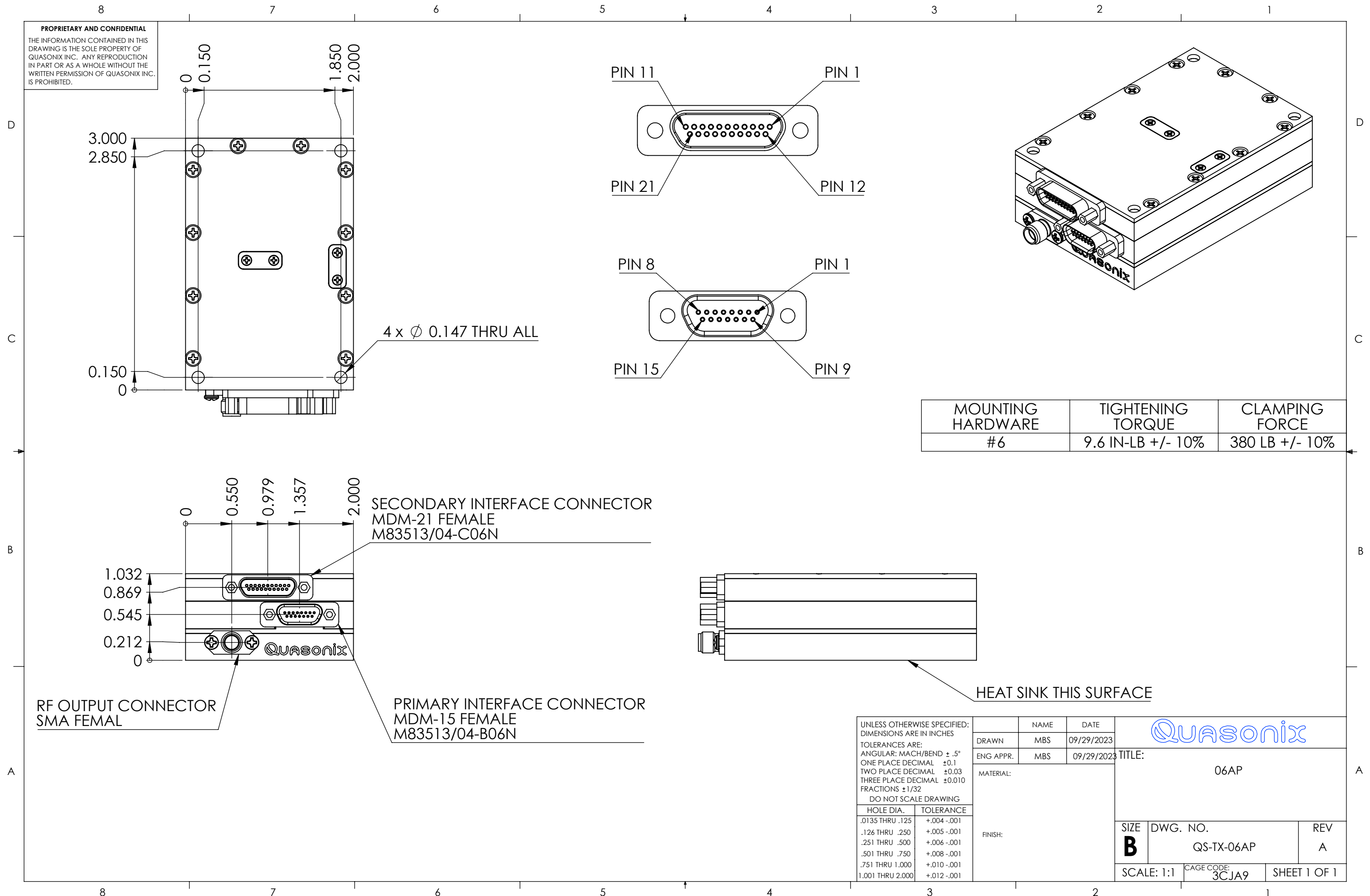
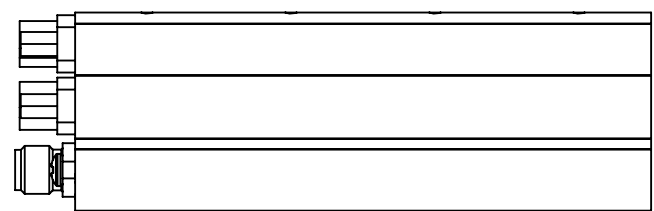


PROPRIETARY AND CONFIDENTIAL
 THE INFORMATION CONTAINED IN THIS DRAWING IS THE SOLE PROPERTY OF QUASONIX INC. ANY REPRODUCTION IN PART OR AS A WHOLE WITHOUT THE WRITTEN PERMISSION OF QUASONIX INC. IS PROHIBITED.



| MOUNTING HARDWARE | TIGHTENING TORQUE | CLAMPING FORCE |
|-------------------|-------------------|----------------|
| #6 | 9.6 IN-LB +/- 10% | 380 LB +/- 10% |



UNLESS OTHERWISE SPECIFIED:
 DIMENSIONS ARE IN INCHES
 TOLERANCES ARE:
 ANGULAR: MACH/BEND ± .5°
 ONE PLACE DECIMAL ±0.1
 TWO PLACE DECIMAL ±0.03
 THREE PLACE DECIMAL ±0.010
 FRACTIONS ±1/32
 DO NOT SCALE DRAWING

| HOLE DIA. | TOLERANCE |
|------------------|-------------|
| .0135 THRU .125 | +.004 -.001 |
| .126 THRU .250 | +.005 -.001 |
| .251 THRU .500 | +.006 -.001 |
| .501 THRU .750 | +.008 -.001 |
| .751 THRU 1.000 | +.010 -.001 |
| 1.001 THRU 2.000 | +.012 -.001 |

| | | | | |
|------------|-----|------------------|--------------|---------------------|
| NAME | MBS | DATE | 09/29/2023 | |
| DRAWN | MBS | DATE | 09/29/2023 | |
| ENG APPR. | MBS | DATE | 09/29/2023 | TITLE: 06AP |
| MATERIAL: | | | | SIZE B |
| FINISH: | | | | DWG. NO. QS-TX-06AP |
| | | | | REV A |
| SCALE: 1:1 | | CAGE CODE: 3CJA9 | SHEET 1 OF 1 | |