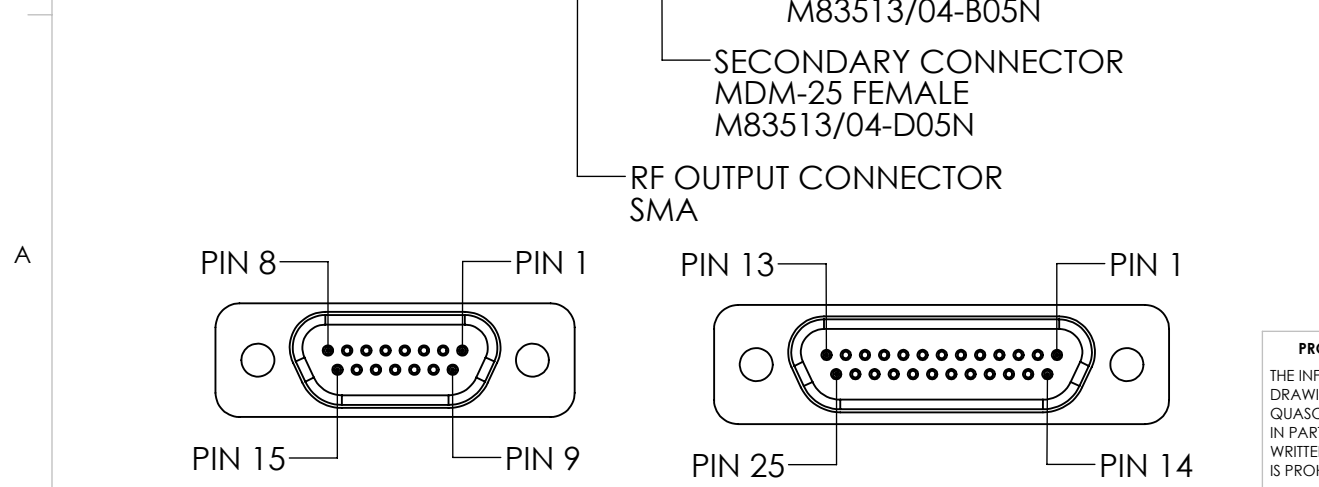


HEAT SINK THIS SURFACE



PROPRIETARY AND CONFIDENTIAL
THE INFORMATION CONTAINED IN THIS DRAWING IS THE SOLE PROPERTY OF QUASONIX, LLC. ANY REPRODUCTION IN PART OR AS A WHOLE WITHOUT THE WRITTEN PERMISSION OF QUASONIX, LLC IS PROHIBITED.

		UNLESS OTHERWISE SPECIFIED:		NAME	DATE
		DIMENSIONS ARE IN INCHES	DRAWN	NFE	10/18/13
		TOLERANCES:	CHECKED		
		ANGULAR: MACH ±1 BEND ±1	ENG APPR.		
		TWO PLACE DECIMAL ±0.01	MFG APPR.		
		THREE PLACE DECIMAL ±0.003	Q.A.		
		INTERPRET GEOMETRIC TOLERANCING PER:	COMMENTS:		
		MATERIAL			
		FINISH			
NEXT ASSY	USED ON				
APPLICATION					

POWER	WEIGHT
XXXX	XX.XX OZ
XXXXX	XX.XX OZ



TITLE: 06AC		
SIZE B	DWG. NO. QSX-TX-06AC	REV -
SCALE: 1:1	WEIGHT: ABOVE SHEET 1 OF 1	