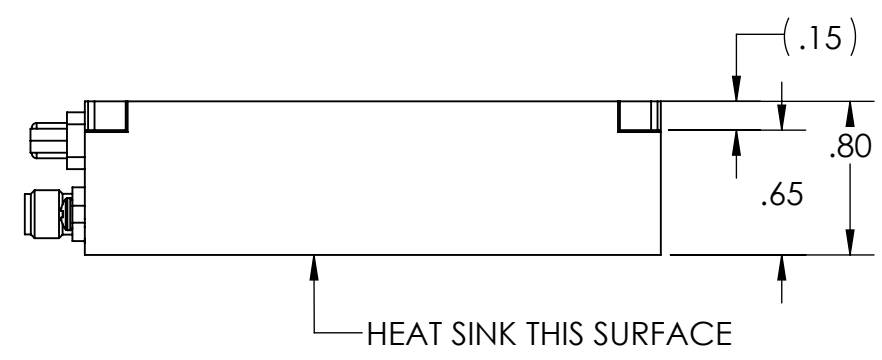
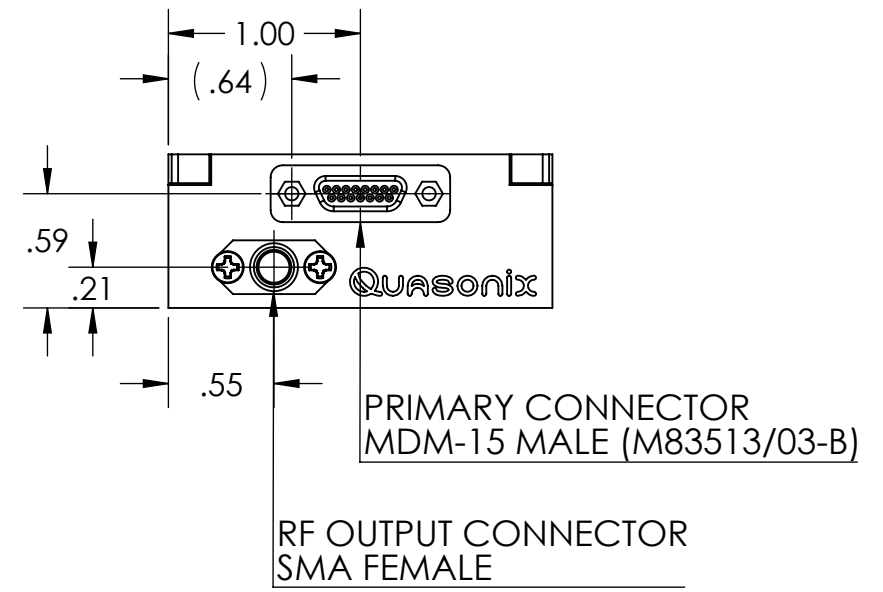
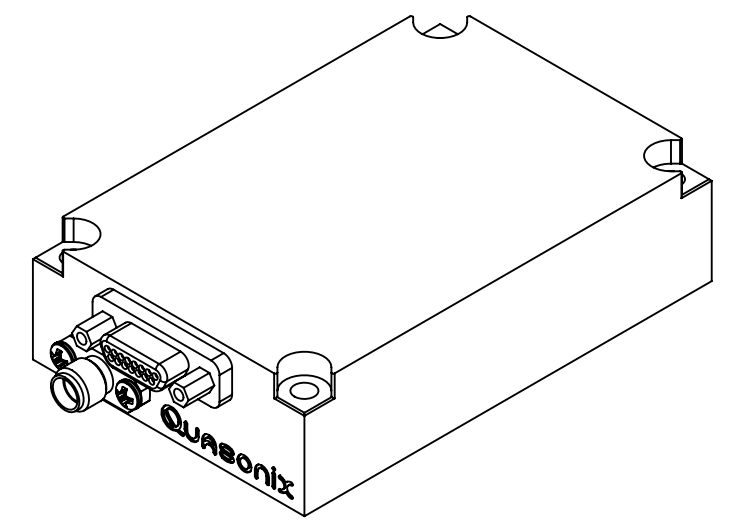
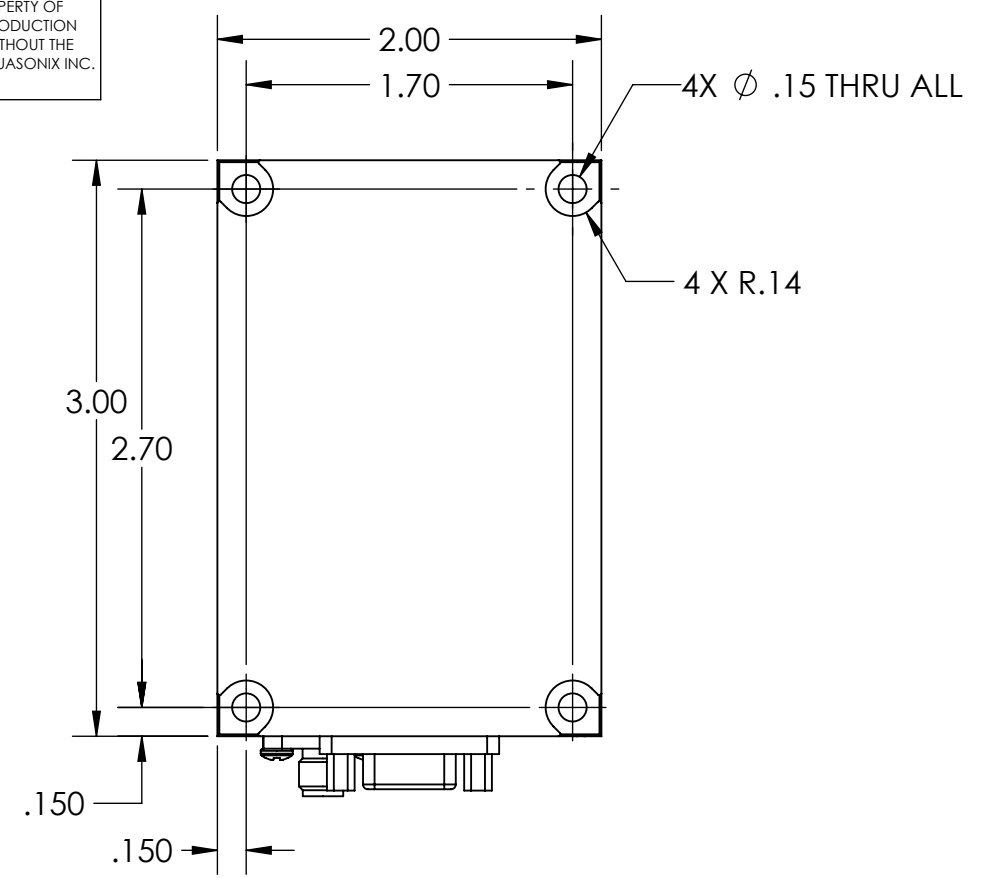


**PROPRIETARY AND CONFIDENTIAL**  
 THE INFORMATION CONTAINED IN THIS DRAWING IS THE SOLE PROPERTY OF QUASONIX INC. ANY REPRODUCTION IN PART OR AS A WHOLE WITHOUT THE WRITTEN PERMISSION OF QUASONIX INC. IS PROHIBITED.



UNLESS OTHERWISE SPECIFIED:  
 DIMENSIONS ARE IN INCHES  
 TOLERANCES ARE:  
 ANGULAR: MACH ±1 BEND ±1  
 ONE PLACE DECIMAL ±0.1  
 TWO PLACE DECIMAL ±0.01  
 THREE PLACE DECIMAL ±0.003  
 FRACTIONS ±1/32  
 DO NOT SCALE DRAWING

HOLE DIA.	TOLERANCE
.0135 THRU .125	+ .004 - .001
.126 THRU .250	+ .005 - .001
.251 THRU .500	+ .006 - .001
.501 THRU .750	+ .008 - .001
.751 THRU 1.000	+ .010 - .001
1.001 THRU 2.000	+ .012 - .001

	NAME	DATE
DRAWN	NFE	01/10/2022
ENG APPR.	NFE	01/10/2022
MATERIAL:		
FINISH:		

<b>Quasonix</b>		
TITLE: 05AR		
SIZE <b>B</b>	DWG. NO. QS-TX-05ARXXX	REV A
SCALE: 1:1	CAGE CODE: 3CJA9	SHEET 1 OF 1