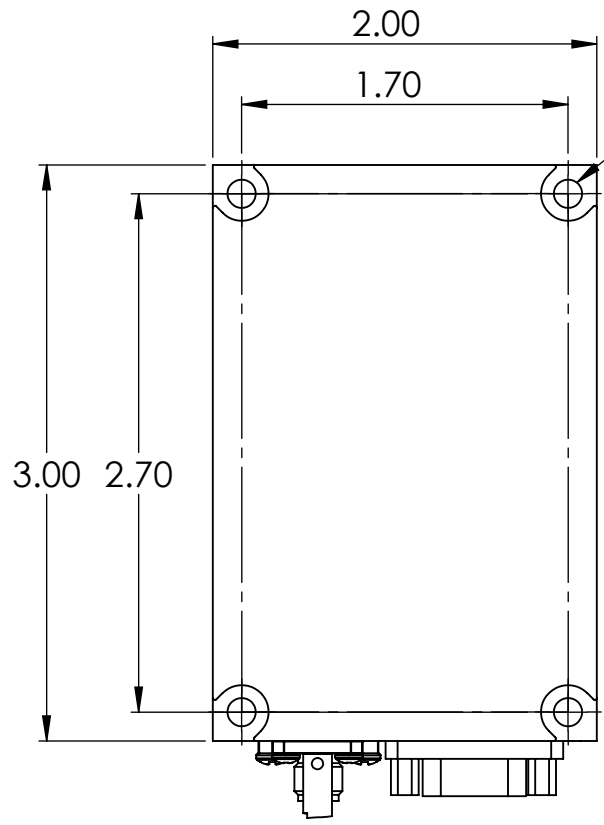
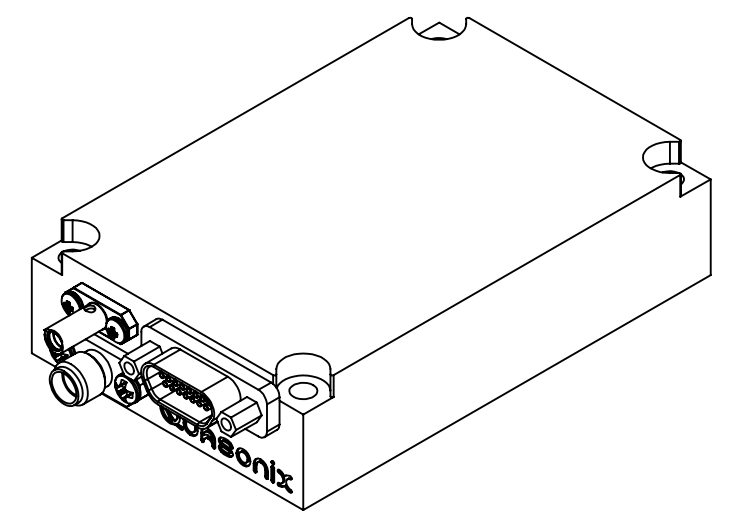


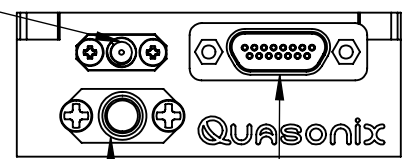
PROPRIETARY AND CONFIDENTIAL
 THE INFORMATION CONTAINED IN THIS DRAWING IS THE SOLE PROPERTY OF QUASONIX INC. ANY REPRODUCTION IN PART OR AS A WHOLE WITHOUT THE WRITTEN PERMISSION OF QUASONIX INC. IS PROHIBITED.



#6 MOUNTING HARDWARE

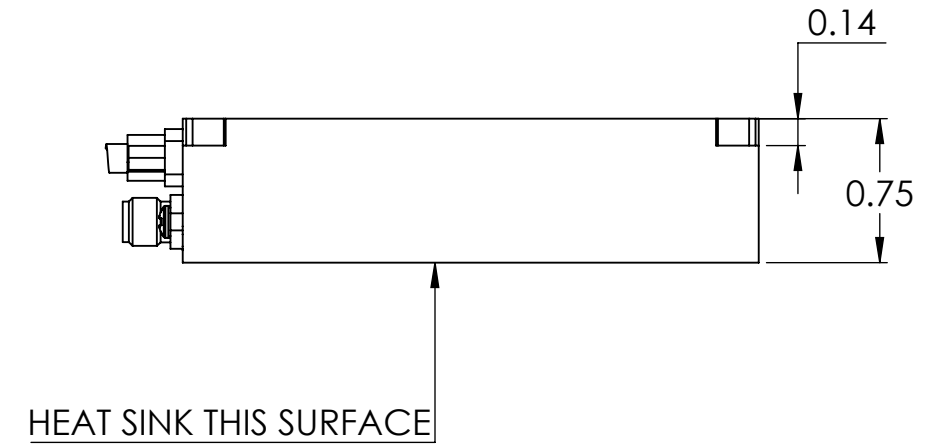


MODULATION INPUT SSMA

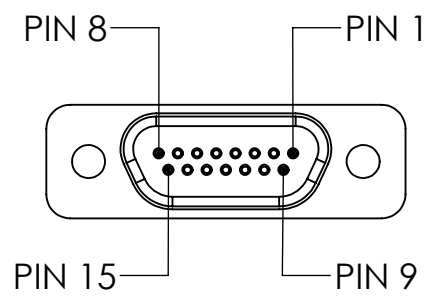


PRIMARY CONNECTOR
 MDM-15 FEMALE
 M83513/04-B05N

RF OUTPUT CONNECTOR
 SMA



HEAT SINK THIS SURFACE



UNLESS OTHERWISE SPECIFIED:
 DIMENSIONS ARE IN INCHES
 TOLERANCES ARE:
 ANGULAR: MACH/BEND ± .5°
 ONE PLACE DECIMAL ±0.1
 TWO PLACE DECIMAL ±0.03
 THREE PLACE DECIMAL ±0.010
 FRACTIONS ±1/32
 DO NOT SCALE DRAWING

HOLE DIA.	TOLERANCE
.0135 THRU .125	+.004 -.001
.126 THRU .250	+.005 -.001
.251 THRU .500	+.006 -.001
.501 THRU .750	+.008 -.001
.751 THRU 1.000	+.010 -.001
1.001 THRU 2.000	+.012 -.001

	NAME	DATE
DRAWN	MBS	02/23/2024
ENG APPR.	MBS	02/23/2024
MATERIAL:	N/A	
FINISH:		

TITLE: 04AR		
SIZE	DWG. NO.	REV
B	QS-TX-04ARXXX	
SCALE: 1:1	CAGE CODE: 3CJA9	SHEET 1 OF 1