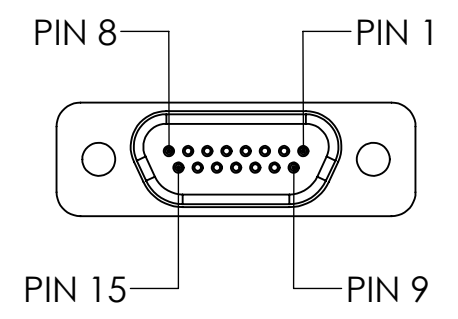
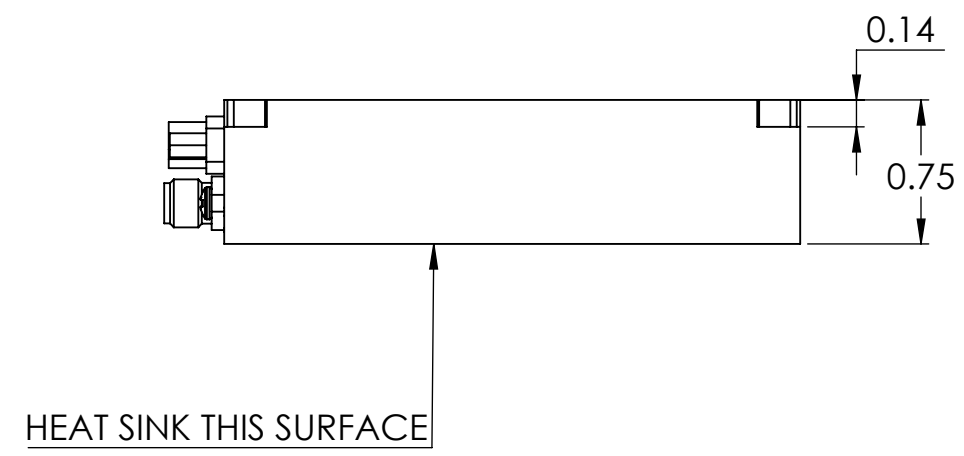
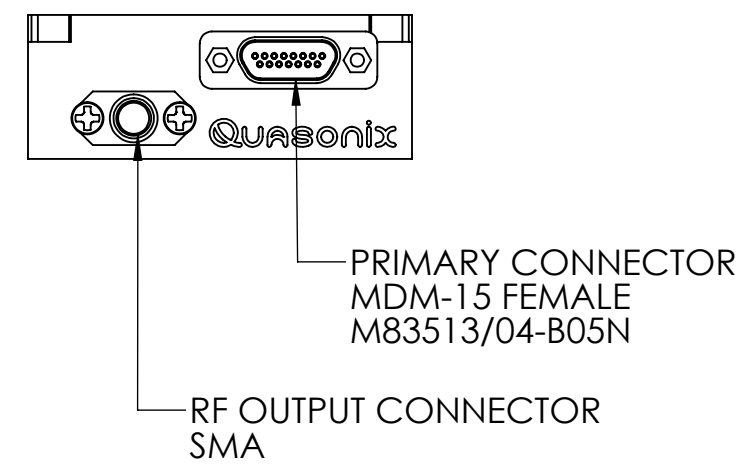
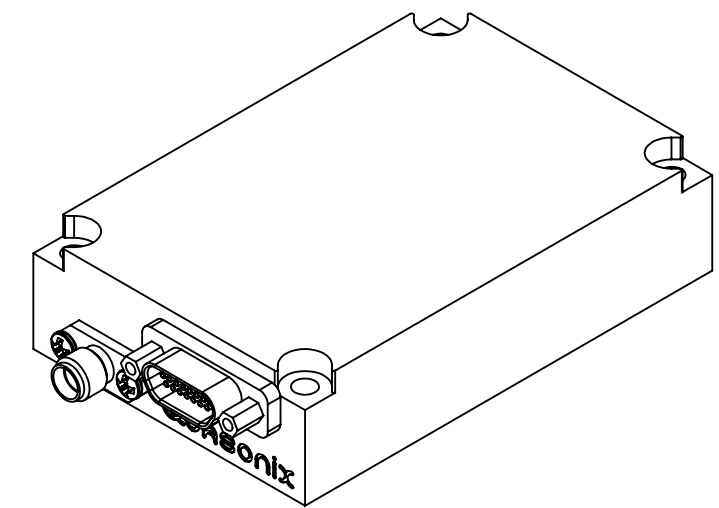
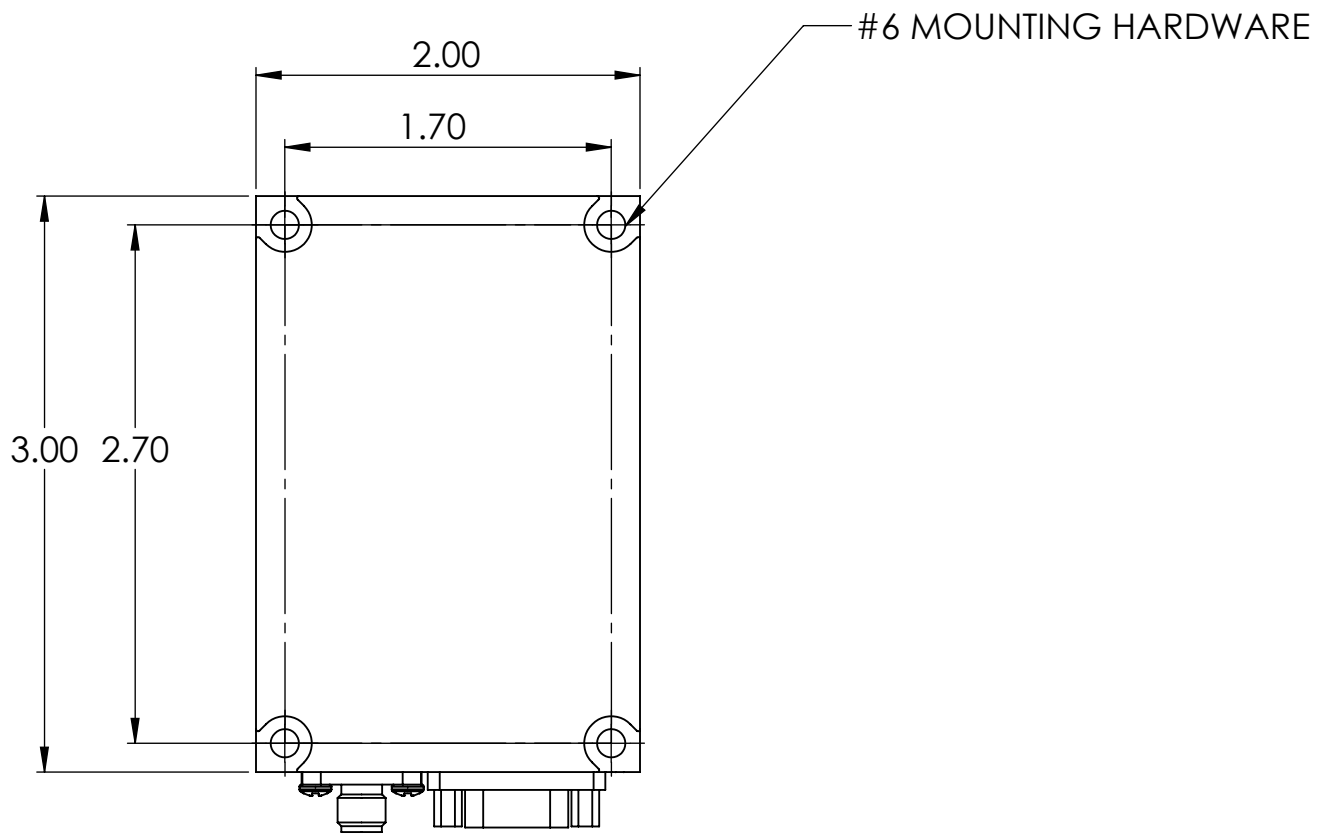



PROPRIETARY AND CONFIDENTIAL
 THE INFORMATION CONTAINED IN THIS DRAWING IS THE SOLE PROPERTY OF QUASONIX INC. ANY REPRODUCTION IN PART OR AS A WHOLE WITHOUT THE WRITTEN PERMISSION OF QUASONIX INC. IS PROHIBITED.



UNLESS OTHERWISE SPECIFIED: DIMENSIONS ARE IN INCHES TOLERANCES ARE: ANGULAR: MACH/BEND ± .5° ONE PLACE DECIMAL ±0.1 TWO PLACE DECIMAL ±0.03 THREE PLACE DECIMAL ±0.010 FRACTIONS ±1/32 DO NOT SCALE DRAWING	NAME	DATE	 TITLE: 04AP									
	DRAWN	MBS		03/28/2024								
	ENG APPR.	MBS		03/28/2024								
	MATERIAL:											
FINISH:			<table border="1"> <tr> <td>SIZE</td> <td>DWG. NO.</td> <td>REV</td> </tr> <tr> <td>B</td> <td>QS-TX-04APXXX</td> <td></td> </tr> <tr> <td>SCALE: 1:1</td> <td>CAGE CODE: 3CJA9</td> <td>SHEET 1 OF 1</td> </tr> </table>	SIZE	DWG. NO.	REV	B	QS-TX-04APXXX		SCALE: 1:1	CAGE CODE: 3CJA9	SHEET 1 OF 1
SIZE	DWG. NO.	REV										
B	QS-TX-04APXXX											
SCALE: 1:1	CAGE CODE: 3CJA9	SHEET 1 OF 1										