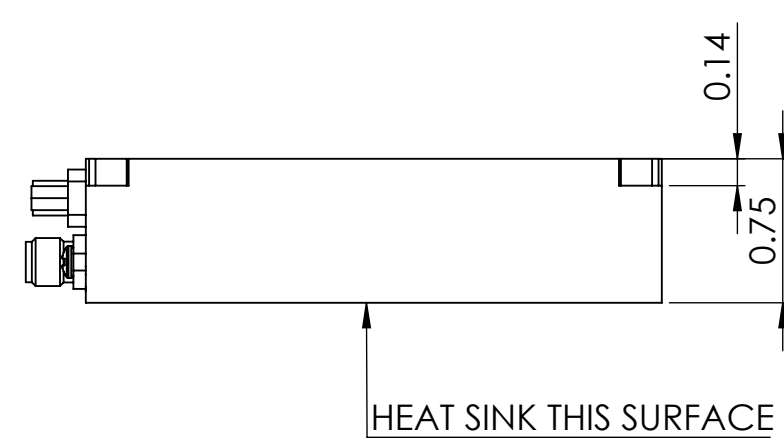
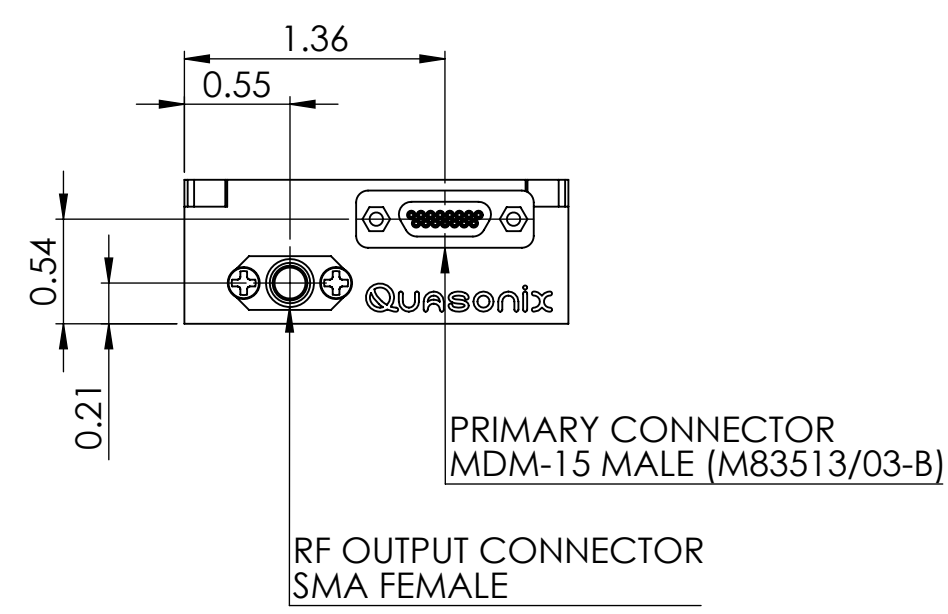
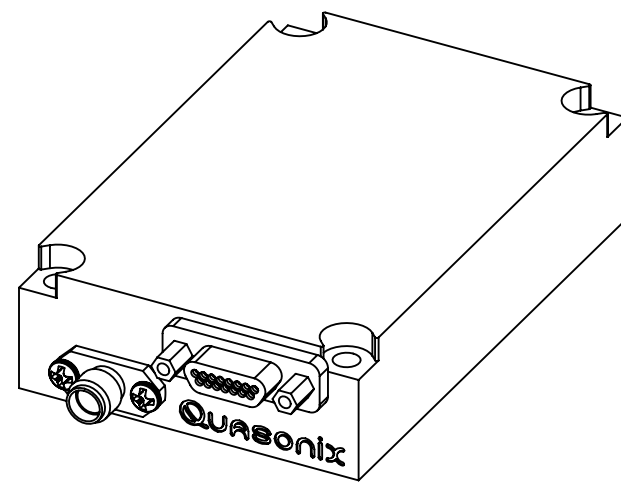
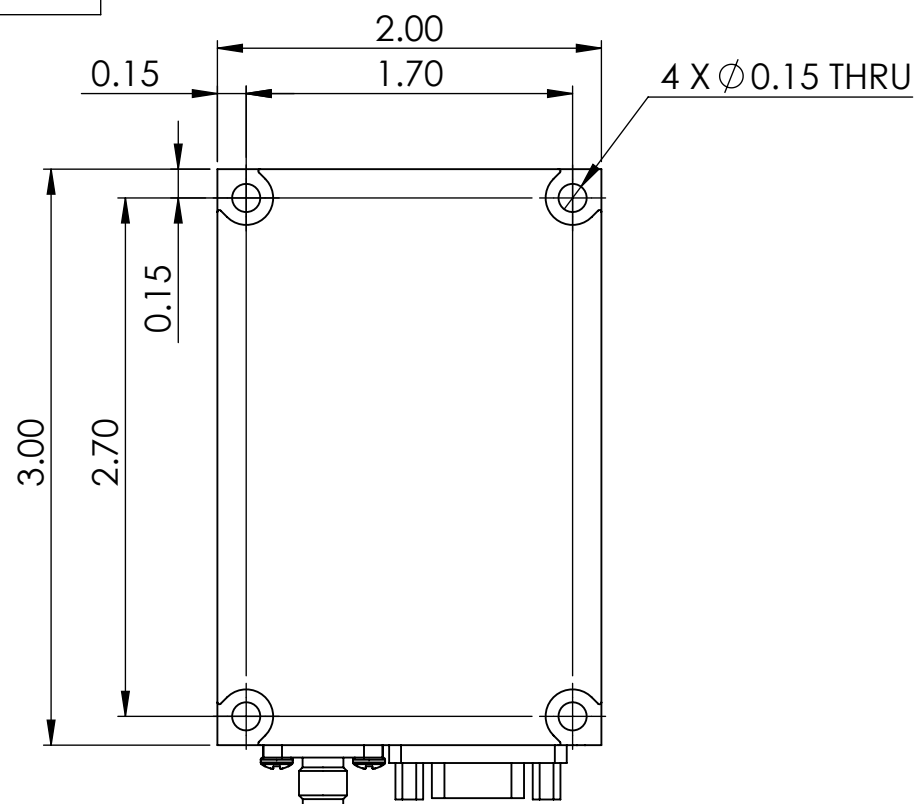


PROPRIETARY AND CONFIDENTIAL
 THE INFORMATION CONTAINED IN THIS DRAWING IS THE SOLE PROPERTY OF QUASONIX INC. ANY REPRODUCTION IN PART OR AS A WHOLE WITHOUT THE WRITTEN PERMISSION OF QUASONIX INC. IS PROHIBITED.



UNLESS OTHERWISE SPECIFIED: DIMENSIONS ARE IN INCHES TOLERANCES ARE: ANGULAR: MACH ±1 BEND ±1 ONE PLACE DECIMAL ±0.1 TWO PLACE DECIMAL ±0.01 THREE PLACE DECIMAL ±0.003 FRACTIONS ±1/32 DO NOT SCALE DRAWING	NAME	DATE		
	DRAWN	NFE		10/08/2020
	ENG APPR.	NFE	10/08/2020	TITLE:
	MATERIAL:			04AJ
HOLE DIA.	TOLERANCE			
.0135 THRU .125	+ .004 - .001	SIZE	DWG. NO.	
.126 THRU .250	+ .005 - .001	B	QS-TX-04AJXXX	
.251 THRU .500	+ .006 - .001	SCALE: 1:1	REV	
.501 THRU .750	+ .008 - .001	CAGE CODE:	A	
.751 THRU 1.000	+ .010 - .001	3CJA9	SHEET 1 OF 1	
1.001 THRU 2.000	+ .012 - .001			