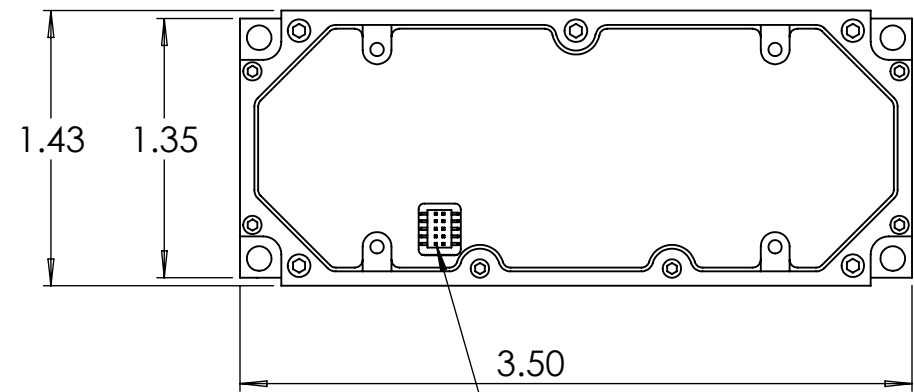
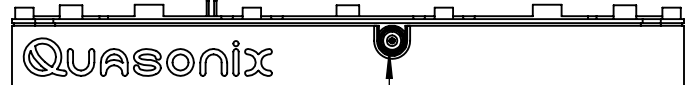
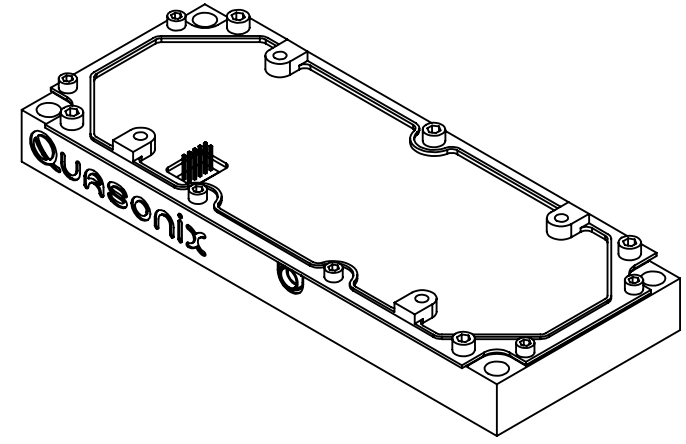


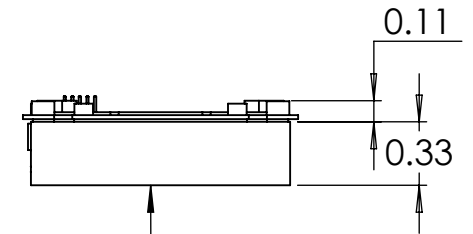
**PROPRIETARY AND CONFIDENTIAL**  
 THE INFORMATION CONTAINED IN THIS DRAWING IS THE SOLE PROPERTY OF QUASONIX INC. ANY REPRODUCTION IN PART OR AS A WHOLE WITHOUT THE WRITTEN PERMISSION OF QUASONIX INC. IS PROHIBITED.



PRIMARY INTERFACE CONNECTOR  
 MW-05-03-H-D-137-157-A



RF OUTPUT  
 MMCX FEMALE



HEATSINK THIS SURFACE

UNLESS OTHERWISE SPECIFIED:  
 DIMENSIONS ARE IN INCHES  
 TOLERANCES ARE:  
 ANGULAR: MACH/BEND ± .5°  
 ONE PLACE DECIMAL ±0.1  
 TWO PLACE DECIMAL ±0.01  
 THREE PLACE DECIMAL ±0.003  
 FRACTIONS ±1/32  
 DO NOT SCALE DRAWING

HOLE DIA.	TOLERANCE
.0135 THRU .125	+.004 -.001
.126 THRU .250	+.005 -.001
.251 THRU .500	+.006 -.001
.501 THRU .750	+.008 -.001
.751 THRU 1.000	+.010 -.001
1.001 THRU 2.000	+.012 -.001

	NAME	DATE
DRAWN	MBS	12/19/2024
ENG APPR.	MBS	12/19/2024

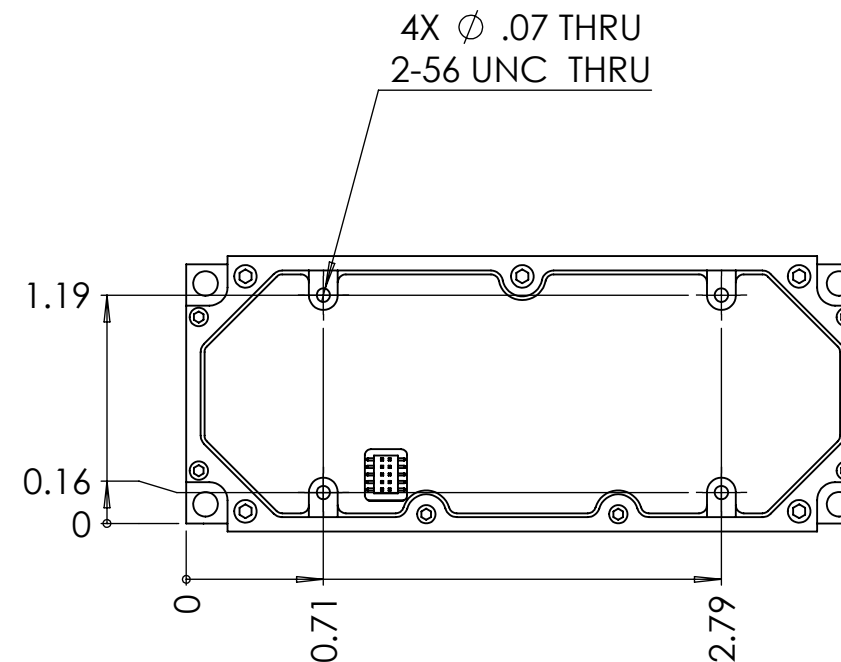
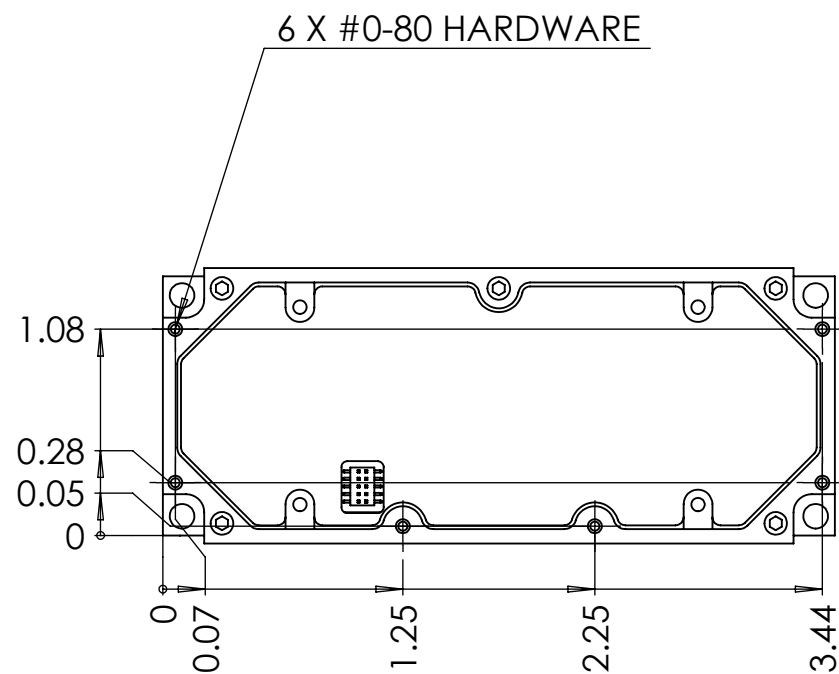
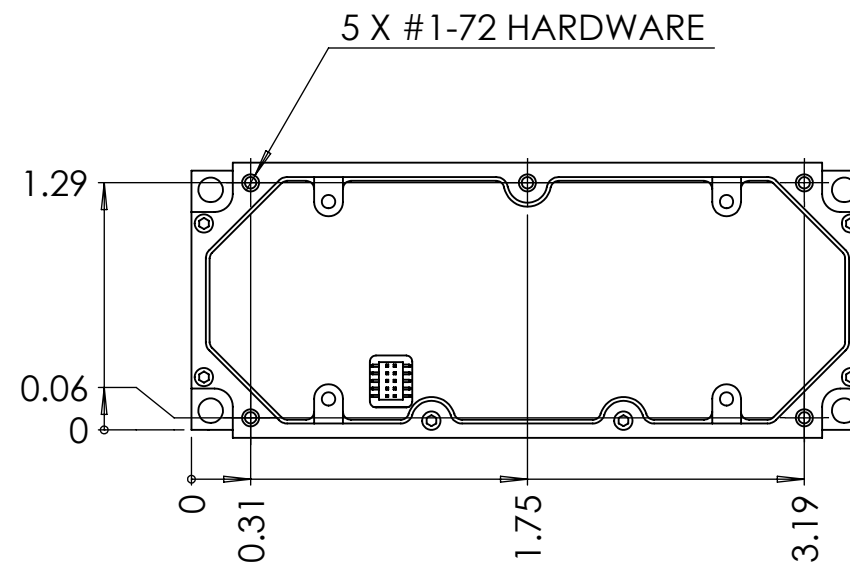
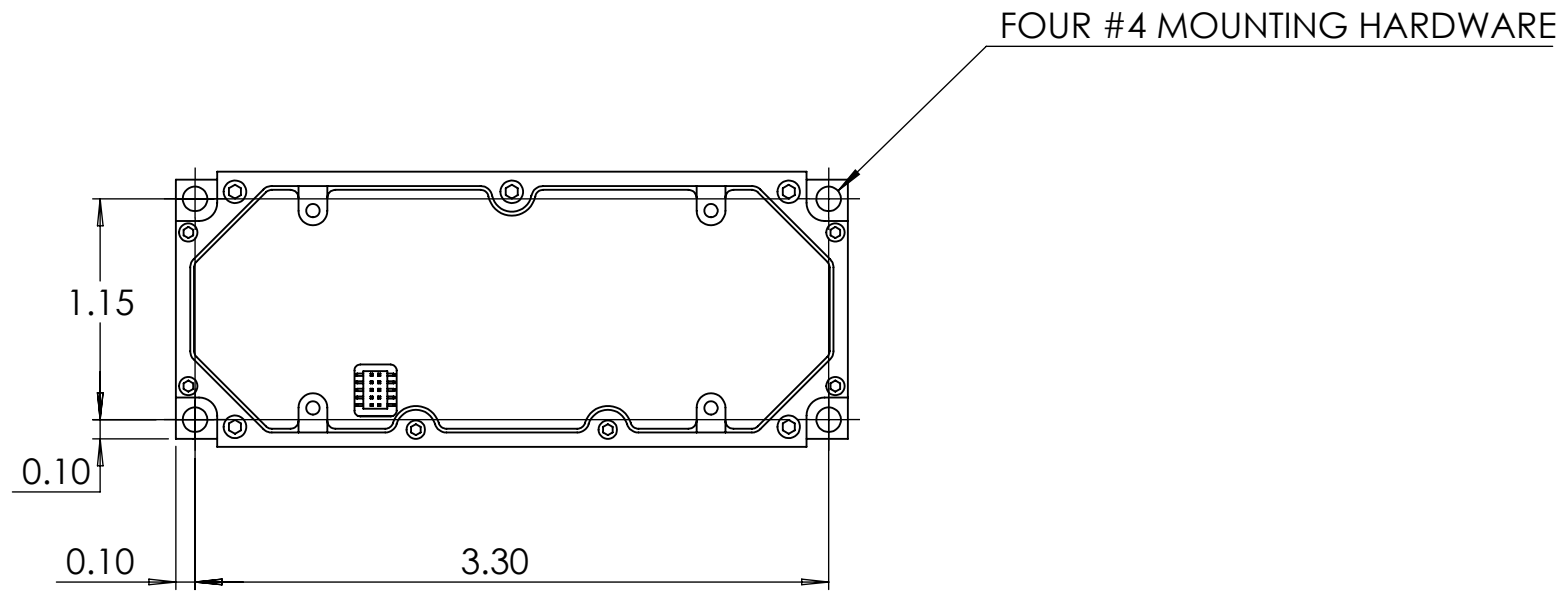
MATERIAL:	
FINISH:	



TITLE: 03AM		
SIZE <b>B</b>	DWG. NO. QS-TX-03AMXXX	REV A

SCALE: 1:1	CAGE CODE: 3CJA9	SHEET 1 OF 2
------------	---------------------	--------------

**PROPRIETARY AND CONFIDENTIAL**  
 THE INFORMATION CONTAINED IN THIS DRAWING IS THE SOLE PROPERTY OF QUASONIX INC. ANY REPRODUCTION IN PART OR AS A WHOLE WITHOUT THE WRITTEN PERMISSION OF QUASONIX INC. IS PROHIBITED.



SIZE <b>B</b>	DWG. NO. QS-TX-03AMXXX	REV A
SCALE: 1:1	CAGE CODE: 3CJA9	SHEET 2 OF 2