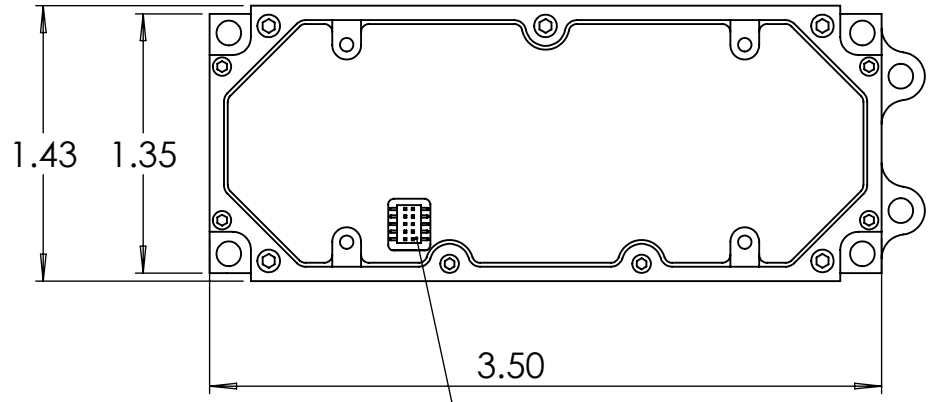
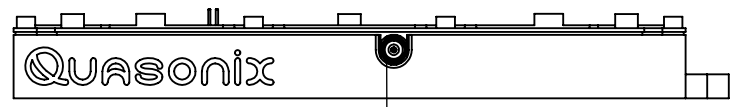
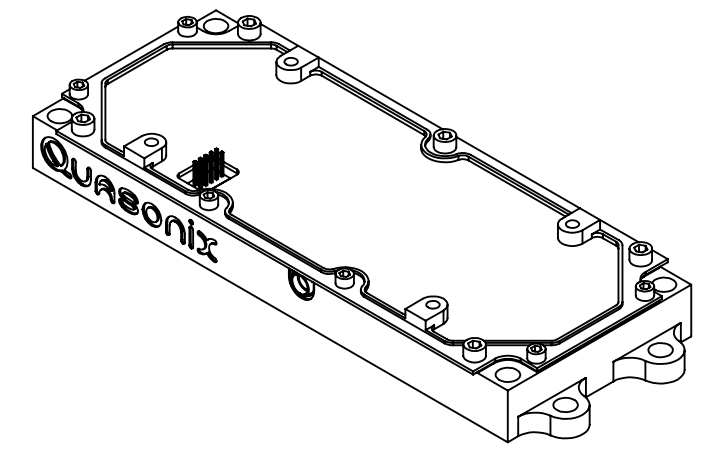


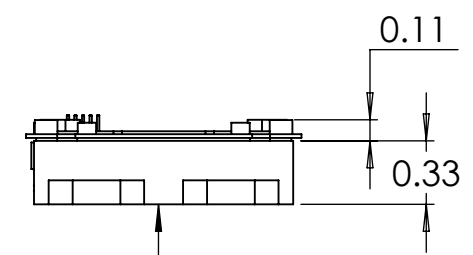
PROPRIETARY AND CONFIDENTIAL
 THE INFORMATION CONTAINED IN THIS DRAWING IS THE SOLE PROPERTY OF QUASONIX INC. ANY REPRODUCTION IN PART OR AS A WHOLE WITHOUT THE WRITTEN PERMISSION OF QUASONIX INC. IS PROHIBITED.



PRIMARY INTERFACE CONNECTOR
 MW-05-03-H-D-137-157-A



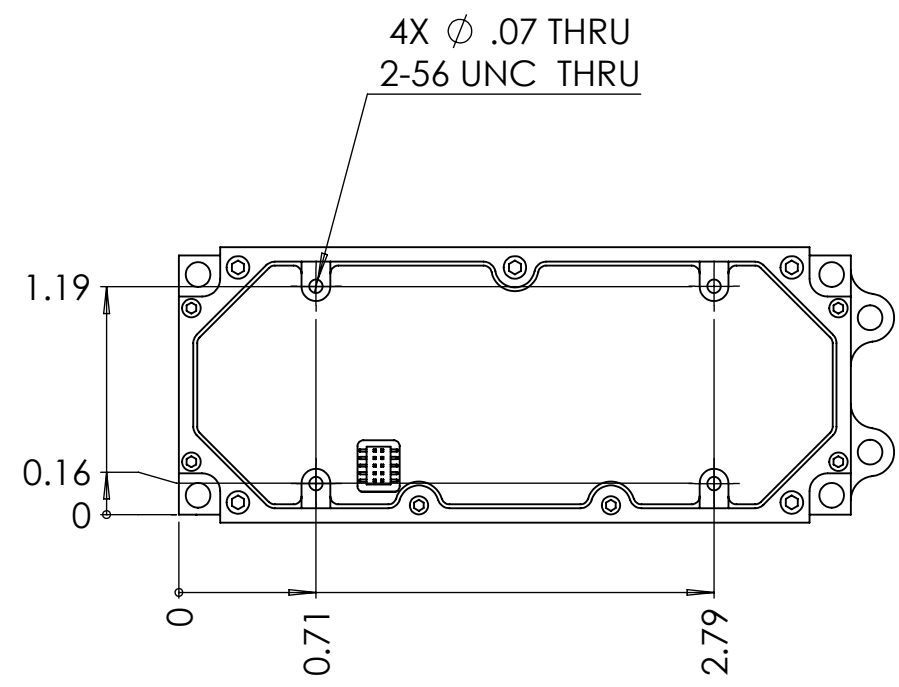
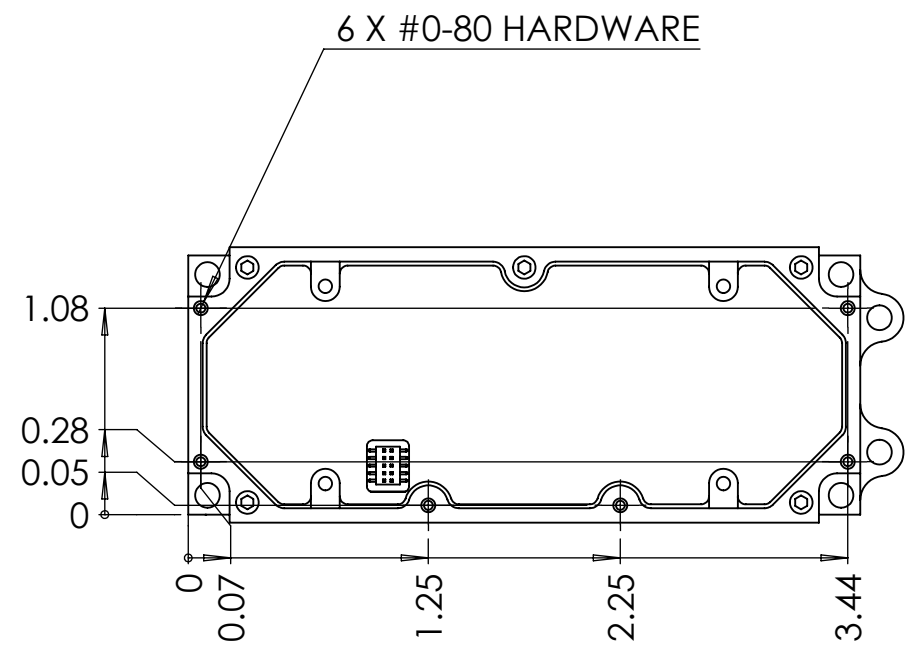
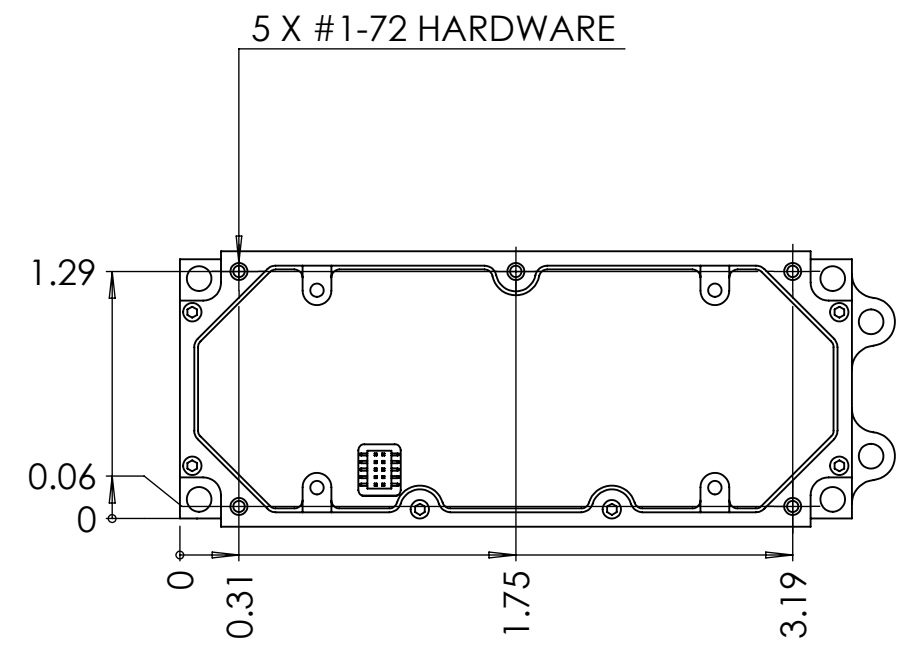
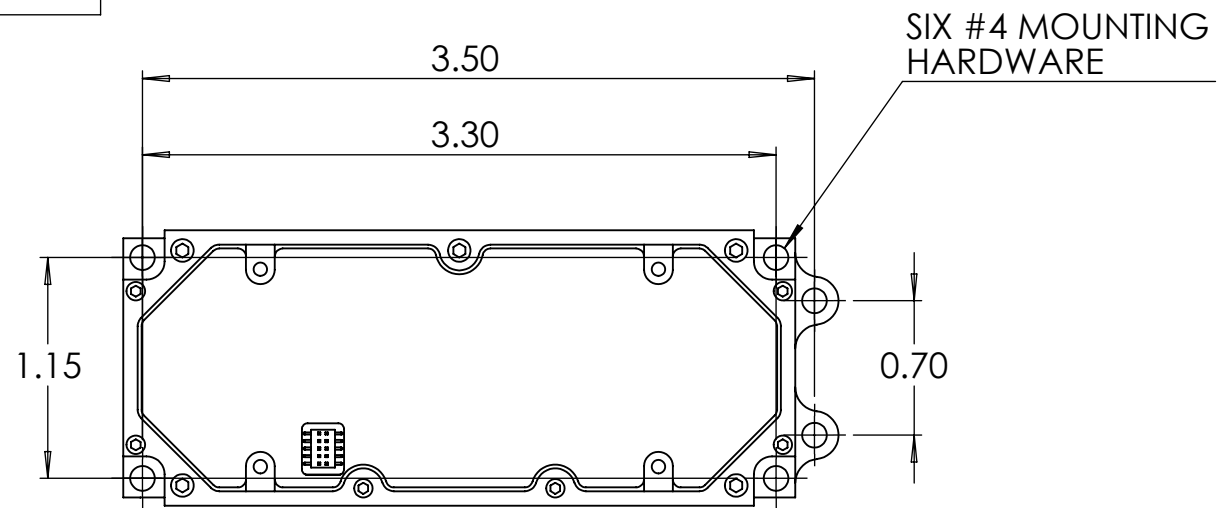
RF OUTPUT
 MMCX FEMALE



HEATSINK THIS SURFACE

UNLESS OTHERWISE SPECIFIED: DIMENSIONS ARE IN INCHES TOLERANCES ARE: ANGULAR: MACH/BEND ± .5° ONE PLACE DECIMAL ±0.1 TWO PLACE DECIMAL ±0.01 THREE PLACE DECIMAL ±0.003 FRACTIONS ±1/32 DO NOT SCALE DRAWING	NAME	DATE																	
	DRAWN	MBS			12/18/2024														
	ENG APPR.	MBS	12/18/2024	TITLE: 03AL															
	MATERIAL:																		
FINISH:			SIZE	DWG. NO.	REV														
<table border="1"> <thead> <tr> <th>HOLE DIA.</th> <th>TOLERANCE</th> </tr> </thead> <tbody> <tr> <td>.0135 THRU .125</td> <td>+0.004 -0.001</td> </tr> <tr> <td>.126 THRU .250</td> <td>+0.005 -0.001</td> </tr> <tr> <td>.251 THRU .500</td> <td>+0.006 -0.001</td> </tr> <tr> <td>.501 THRU .750</td> <td>+0.008 -0.001</td> </tr> <tr> <td>.751 THRU 1.000</td> <td>+0.010 -0.001</td> </tr> <tr> <td>1.001 THRU 2.000</td> <td>+0.012 -0.001</td> </tr> </tbody> </table>			HOLE DIA.	TOLERANCE	.0135 THRU .125	+0.004 -0.001	.126 THRU .250	+0.005 -0.001	.251 THRU .500	+0.006 -0.001	.501 THRU .750	+0.008 -0.001	.751 THRU 1.000	+0.010 -0.001	1.001 THRU 2.000	+0.012 -0.001	B	QS-TX-03ALXXX	A
HOLE DIA.	TOLERANCE																		
.0135 THRU .125	+0.004 -0.001																		
.126 THRU .250	+0.005 -0.001																		
.251 THRU .500	+0.006 -0.001																		
.501 THRU .750	+0.008 -0.001																		
.751 THRU 1.000	+0.010 -0.001																		
1.001 THRU 2.000	+0.012 -0.001																		
SCALE: 1:1			CAGE CODE: 3CJA9	SHEET 1 OF 2															

PROPRIETARY AND CONFIDENTIAL
 THE INFORMATION CONTAINED IN THIS DRAWING IS THE SOLE PROPERTY OF QUASONIX INC. ANY REPRODUCTION IN PART OR AS A WHOLE WITHOUT THE WRITTEN PERMISSION OF QUASONIX INC. IS PROHIBITED.



SIZE B	DWG. NO. QS-TX-03ALXXX	REV A
SCALE: 1:1	CAGE CODE: 3CJA9	SHEET 2 OF 2