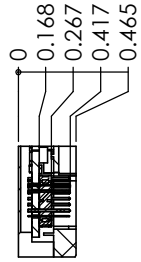
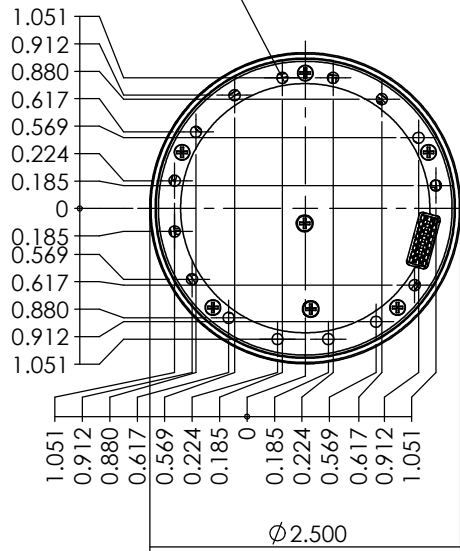
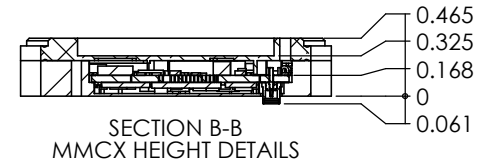
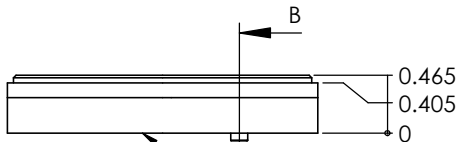
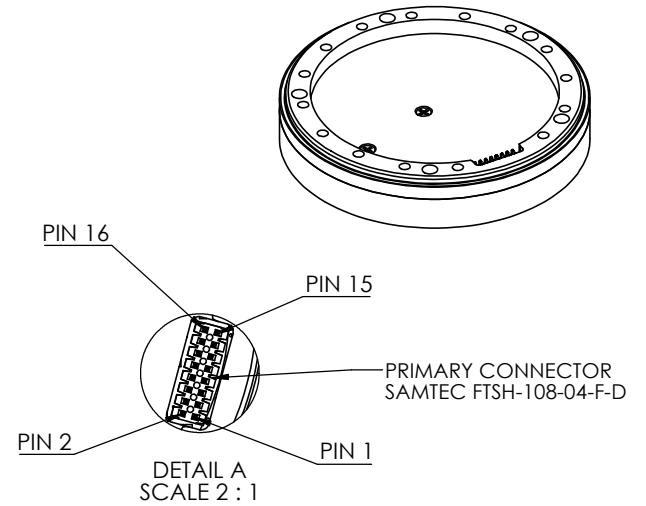
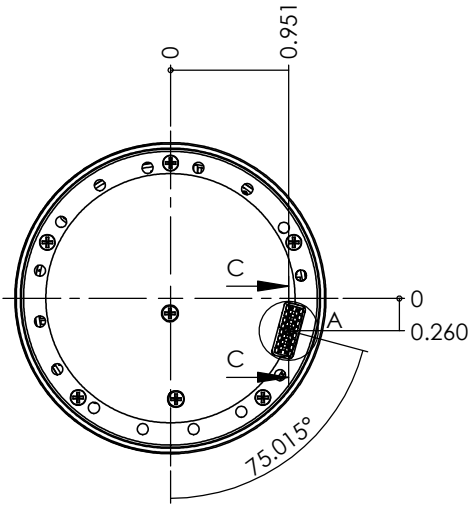


15 x ϕ 0.089 THRU ALL
4-40 UNC THRU ALL

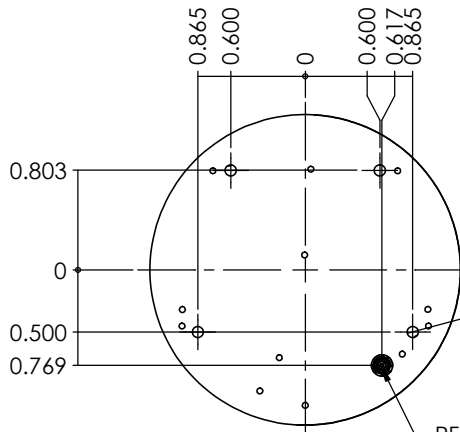


SECTION C-C
FTSH HEIGHT
DETAILS



SECTION B-B
MMCX HEIGHT
DETAILS

HEAT SINK THIS SURFACE



4 x ϕ 0.089 THRU ALL
4-40 UNC THRU ALL

RF OUTPUT CONNECTOR
MMCX JACK

PROPRIETARY AND CONFIDENTIAL
THE INFORMATION CONTAINED IN THIS DRAWING IS THE SOLE PROPERTY OF <INSERT COMPANY NAME HERE>. ANY REPRODUCTION IN PART OR AS A WHOLE WITHOUT THE WRITTEN PERMISSION OF <INSERT COMPANY NAME HERE> IS PROHIBITED.

		UNLESS OTHERWISE SPECIFIED:		NAME	DATE	Quasonix
		DIMENSIONS ARE IN INCHES		DRAWN	BJH	
		TOLERANCES:		CHECKED		TITLE:
		ANGULAR: MACH ± 1 BEND ± 1		ENG APPR.		01PH
		TWO PLACE DECIMAL ± 0.01		MFG APPR.		
		THREE PLACE DECIMAL ± 0.003		Q.A.		
		INTERPRET GEOMETRIC TOLERANCING PER:		COMMENTS:		
		MATERIAL				
		FINISH				
NEXT ASSY	USED ON					SIZE
APPLICATION						B
						DWG. NO.
						QSX-TX-01PH
						REV
						-
						SCALE: 1:1
						WEIGHT:
						SHEET 1 OF 1