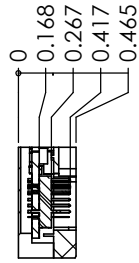
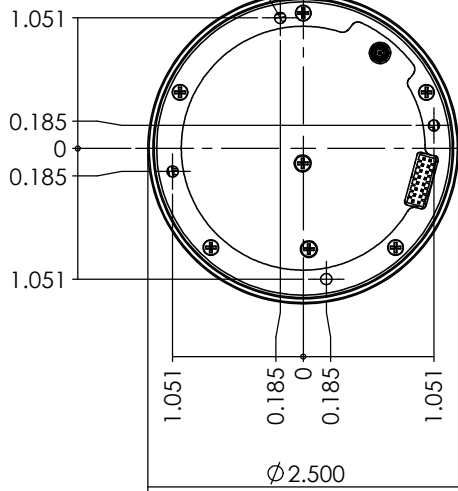
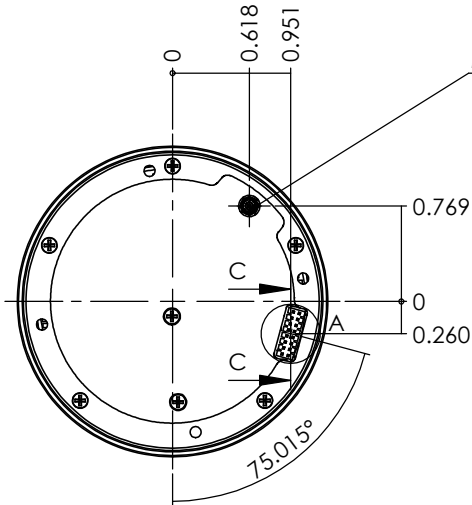


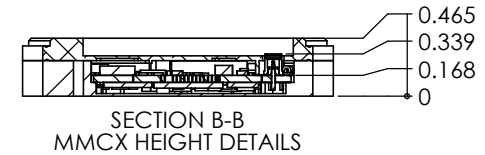
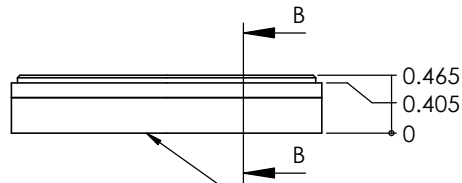
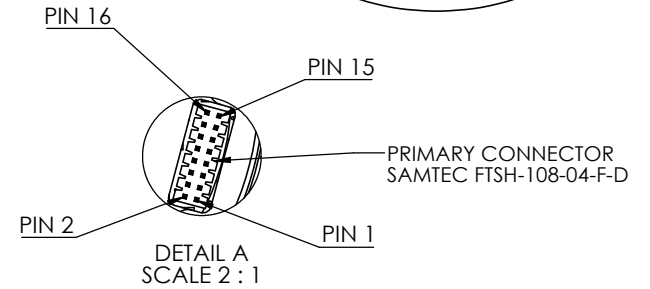
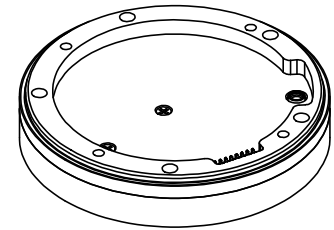
4 x  $\varnothing$  0.089 THRU ALL  
4-40 UNC THRU ALL



SECTION C-C  
FTSH HEIGHT  
DETAILS

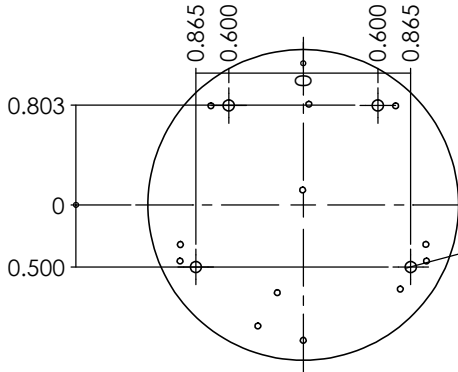


RF OUTPUT CONNECTOR  
MMCX JACK



SECTION B-B  
MMCX HEIGHT  
DETAILS

HEAT SINK THIS SURFACE



4 x  $\varnothing$  0.089 THRU ALL  
4-40 UNC THRU ALL

**PROPRIETARY AND CONFIDENTIAL**  
THE INFORMATION CONTAINED IN THIS DRAWING IS THE SOLE PROPERTY OF <INSERT COMPANY NAME HERE>. ANY REPRODUCTION IN PART OR AS A WHOLE WITHOUT THE WRITTEN PERMISSION OF <INSERT COMPANY NAME HERE> IS PROHIBITED.

		UNLESS OTHERWISE SPECIFIED:		NAME	DATE		
		DIMENSIONS ARE IN INCHES		DRAWN	BJH		
		TOLERANCES:		CHECKED		TITLE:	
		ANGULAR: MACH $\pm 1$ BEND $\pm 1$		ENG APPR.		01PG	
		TWO PLACE DECIMAL $\pm 0.01$		MFG APPR.		SIZE	
		THREE PLACE DECIMAL $\pm 0.003$		Q.A.		DWG. NO.	
		INTERPRET GEOMETRIC TOLERANCING PER:		COMMENTS:		REV	
		MATERIAL				B	
		FINISH				QSX-TX-01PG	
NEXT ASSY	USED ON					SCALE: 1:1	
APPLICATION						WEIGHT:	
						SHEET 1 OF 1	