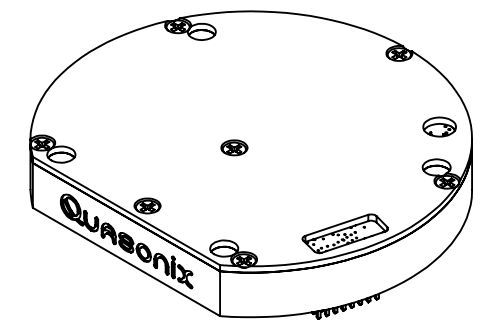
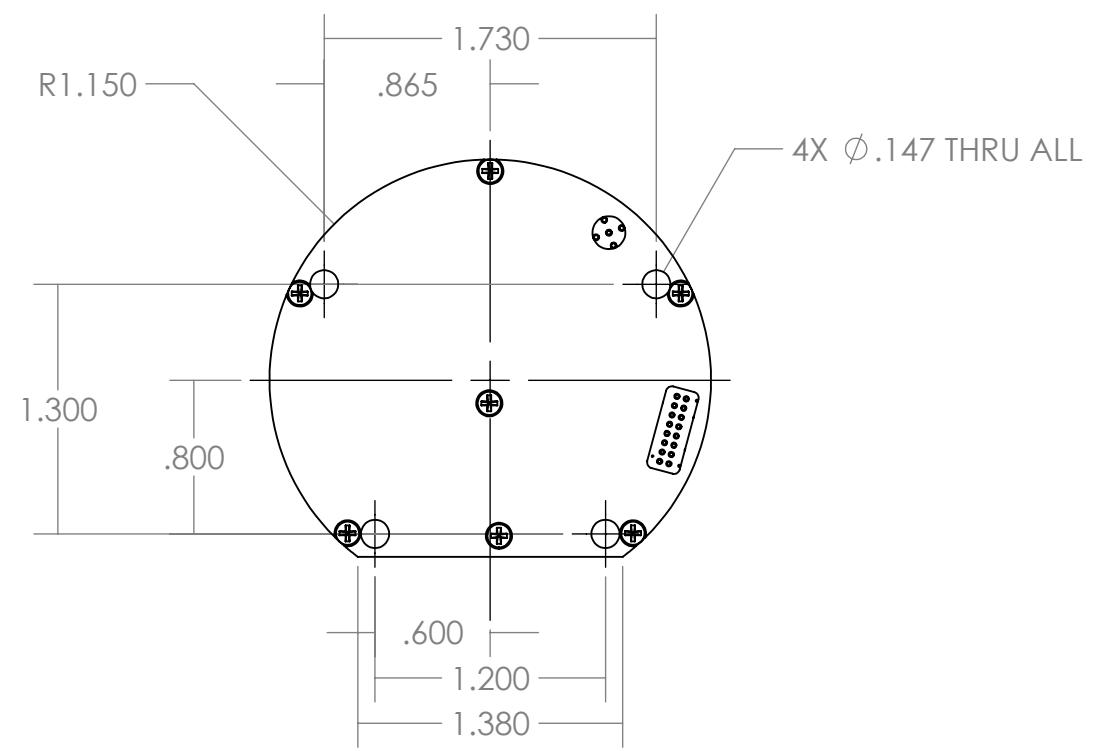


8 7 6 5 4 3 2 1

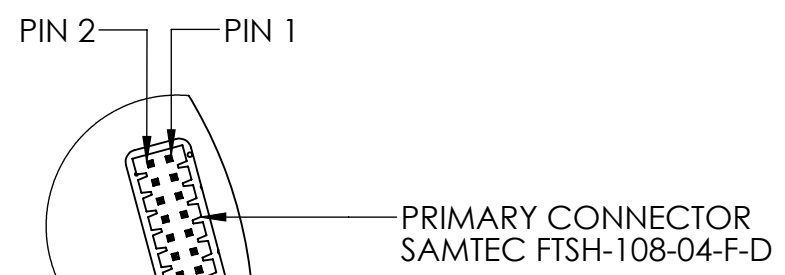
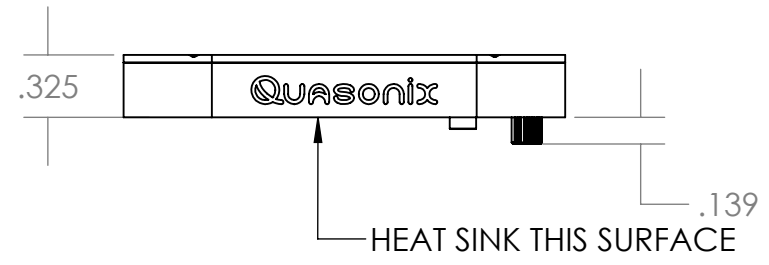
D



D

C

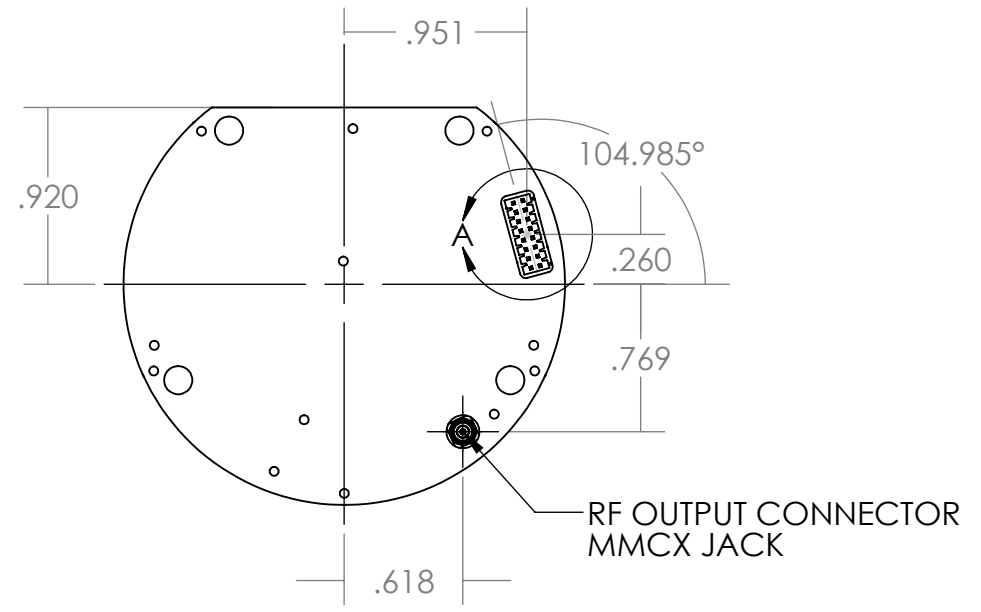
C



DETAIL A
SCALE 2:1

B

B



A

A

POWER	WEIGHT
1 W	1.30 OZ
2 W, 5 W, 10 W	2.13 OZ

UNLESS OTHERWISE SPECIFIED:		NAME	DATE
DIMENSIONS ARE IN INCHES		DRAWN	NFE
TOLERANCES:		CHECKED	1/7/16
ANGULAR: MACH ±1 BEND ±1		ENG APPR.	
TWO PLACE DECIMAL ±0.01		MFG APPR.	
THREE PLACE DECIMAL ±0.003		Q.A.	
INTERPRET GEOMETRIC TOLERANCING PER:		COMMENTS:	
MATERIAL			
FINISH			

TITLE:		
01PD		
SIZE	DWG. NO.	REV
B	QSX-TX-01PD	A
SCALE: 1:1		SHEET 1 OF 1



PROPRIETARY AND CONFIDENTIAL
THE INFORMATION CONTAINED IN THIS DRAWING IS THE SOLE PROPERTY OF QUASONIX INC. ANY REPRODUCTION IN PART OR AS A WHOLE WITHOUT THE WRITTEN PERMISSION OF QUASONIX INC. IS PROHIBITED.

8 7 6 5 4 3 2 1