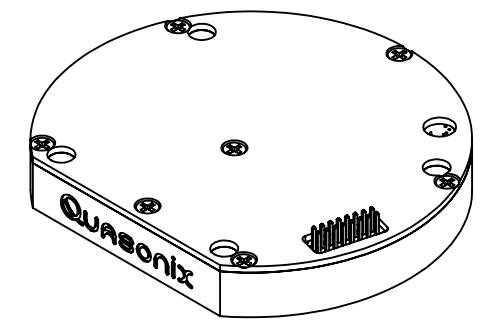
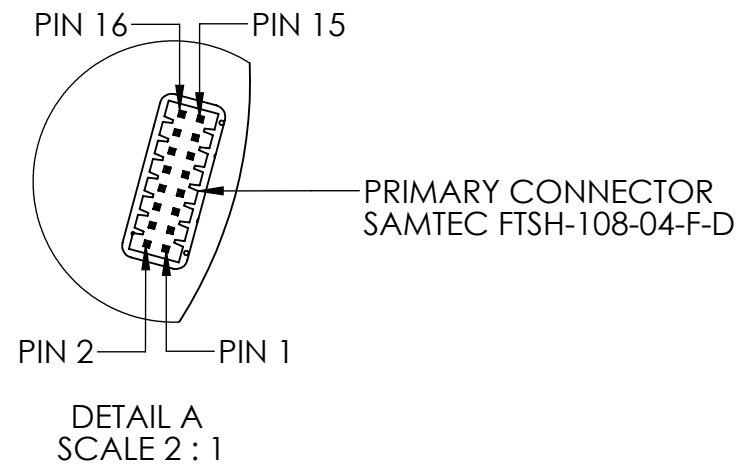
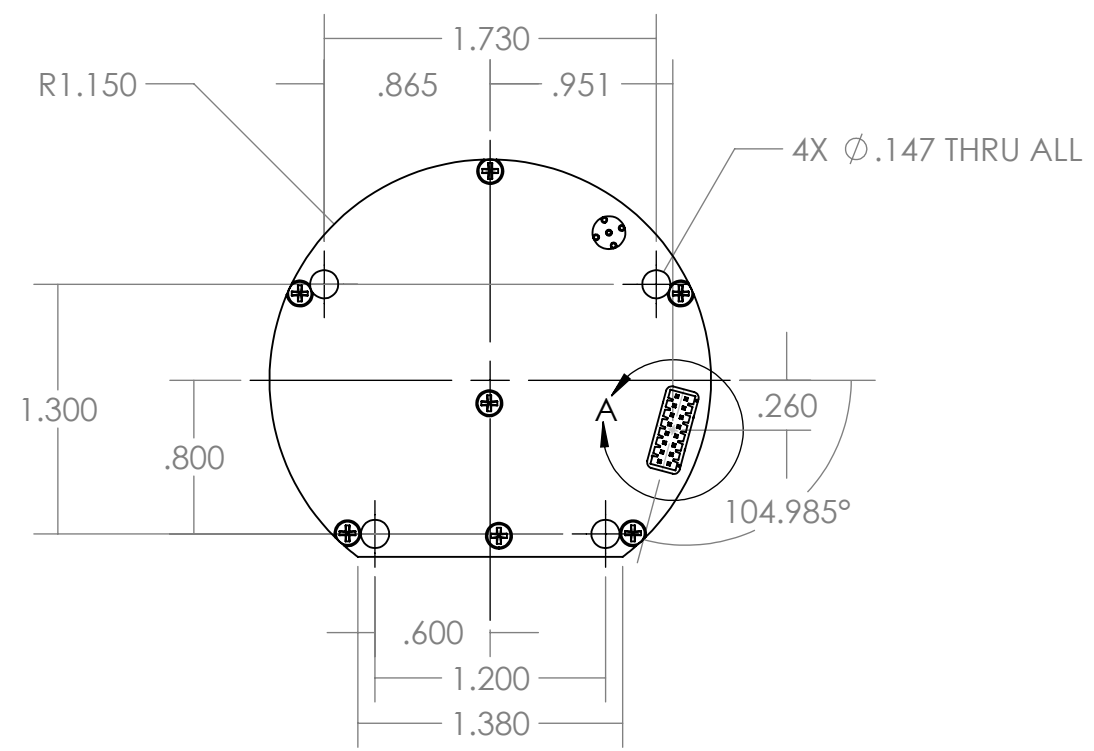


8 7 6 5 4 3 2 1

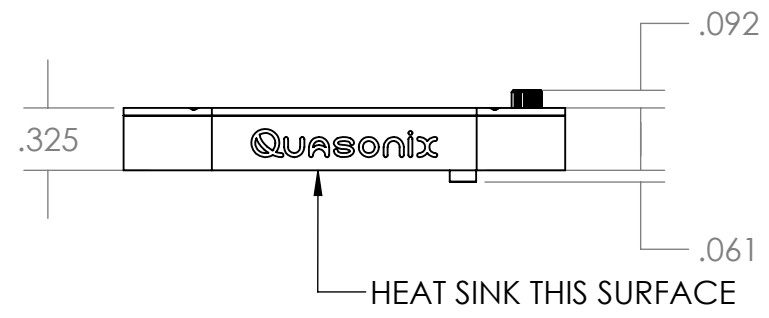
D



D

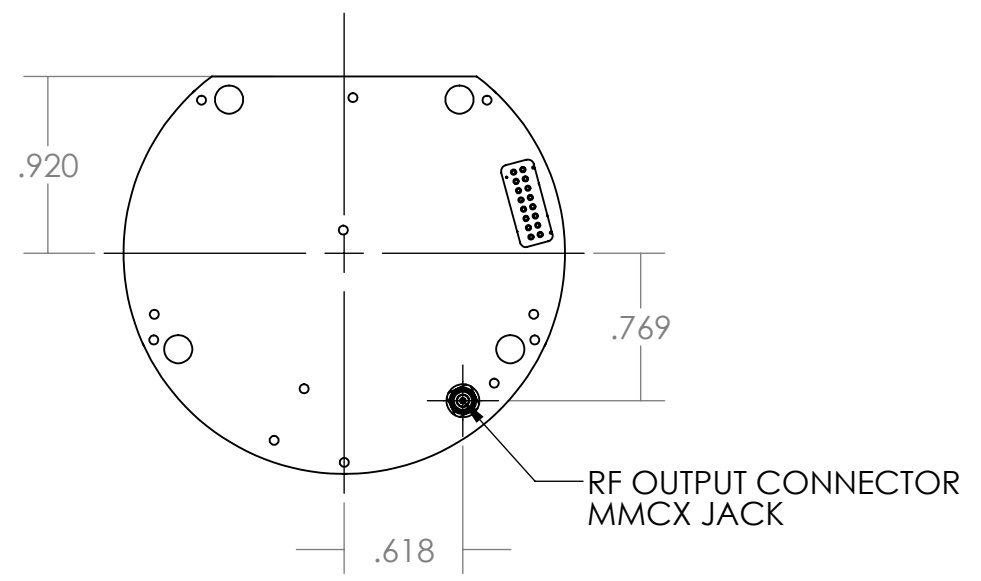
C

C



B

B



A

A

POWER	WEIGHT
1 W	1.30 OZ
2 W, 5 W, 10 W	2.13 OZ

UNLESS OTHERWISE SPECIFIED:  
 DIMENSIONS ARE IN INCHES  
 TOLERANCES:  
 ANGULAR: MACH±1 BEND ±1  
 TWO PLACE DECIMAL ±0.01  
 THREE PLACE DECIMAL ±0.003

NAME	DATE
NFE	1/7/16
DRAWN	
CHECKED	
ENG APPR.	
MFG APPR.	
Q.A.	
COMMENTS:	

<b>Quasonix</b>		
TITLE: 01PB		
SIZE <b>B</b>	DWG. NO. QSX-TX-01PB	REV A
SCALE: 1:1		SHEET 1 OF 1

**PROPRIETARY AND CONFIDENTIAL**  
 THE INFORMATION CONTAINED IN THIS DRAWING IS THE SOLE PROPERTY OF QUASONIX INC. ANY REPRODUCTION IN PART OR AS A WHOLE WITHOUT THE WRITTEN PERMISSION OF QUASONIX INC. IS PROHIBITED.

8 7 6 5 4 3 2 1