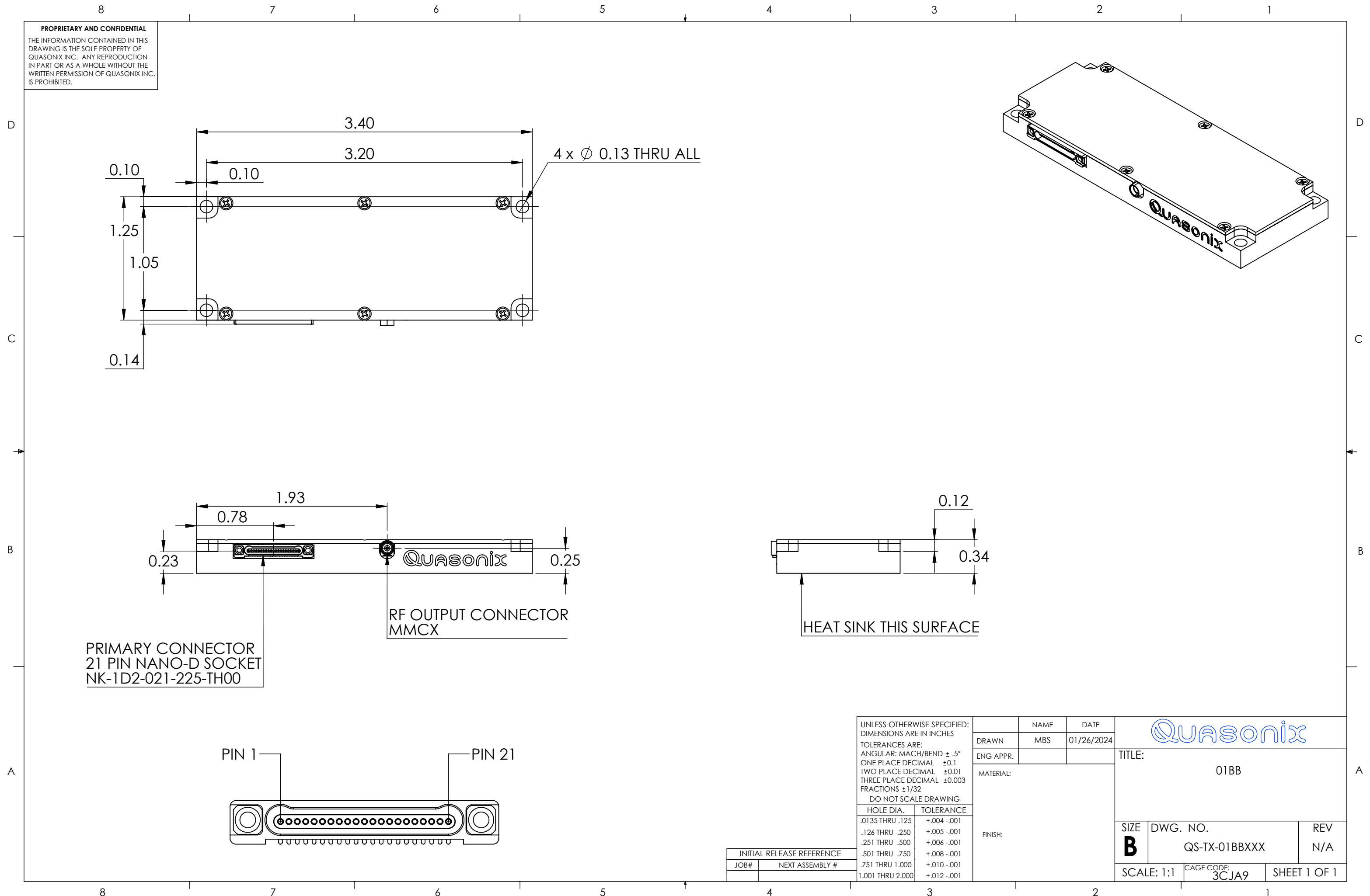


PROPRIETARY AND CONFIDENTIAL
 THE INFORMATION CONTAINED IN THIS DRAWING IS THE SOLE PROPERTY OF QUASONIX INC. ANY REPRODUCTION IN PART OR AS A WHOLE WITHOUT THE WRITTEN PERMISSION OF QUASONIX INC. IS PROHIBITED.



UNLESS OTHERWISE SPECIFIED:
 DIMENSIONS ARE IN INCHES
 TOLERANCES ARE:
 ANGULAR: MACH/BEND $\pm .5^\circ$
 ONE PLACE DECIMAL ± 0.1
 TWO PLACE DECIMAL ± 0.01
 THREE PLACE DECIMAL ± 0.003
 FRACTIONS $\pm 1/32$
 DO NOT SCALE DRAWING

HOLE DIA.	TOLERANCE
.0135 THRU .125	+ .004 - .001
.126 THRU .250	+ .005 - .001
.251 THRU .500	+ .006 - .001
.501 THRU .750	+ .008 - .001
.751 THRU 1.000	+ .010 - .001
1.001 THRU 2.000	+ .012 - .001

INITIAL RELEASE REFERENCE	
JOB#	NEXT ASSEMBLY #

	NAME	DATE
DRAWN	MBS	01/26/2024
ENG APPR.		
MATERIAL:		
FINISH:		

TITLE: 01BB		
SIZE B	DWG. NO. QS-TX-01BBXXX	REV N/A
SCALE: 1:1	CAGE CODE: 3CJA9	SHEET 1 OF 1