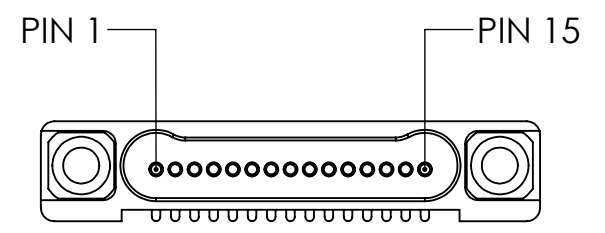
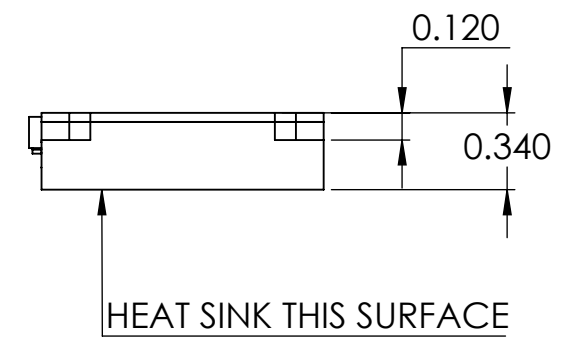
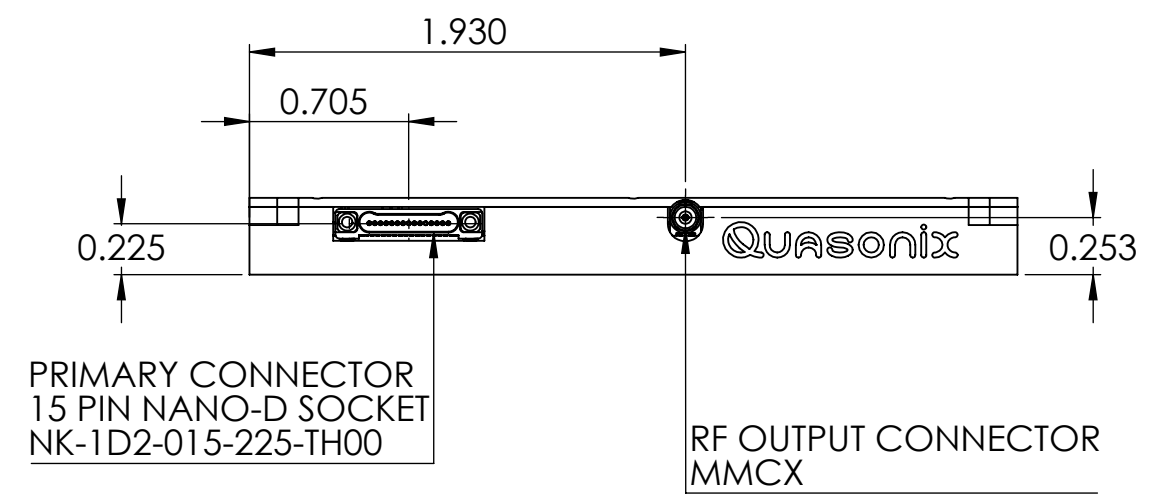
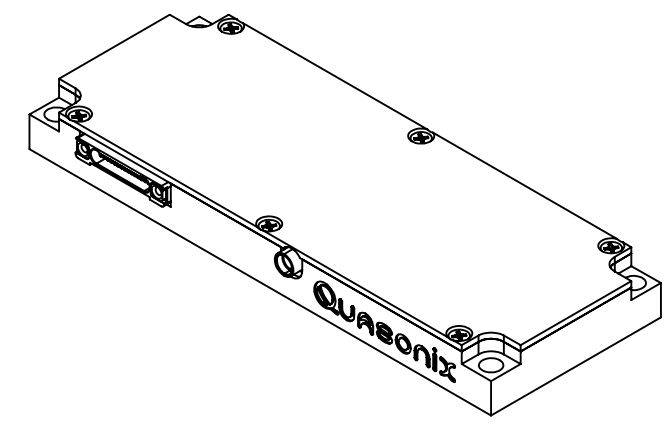
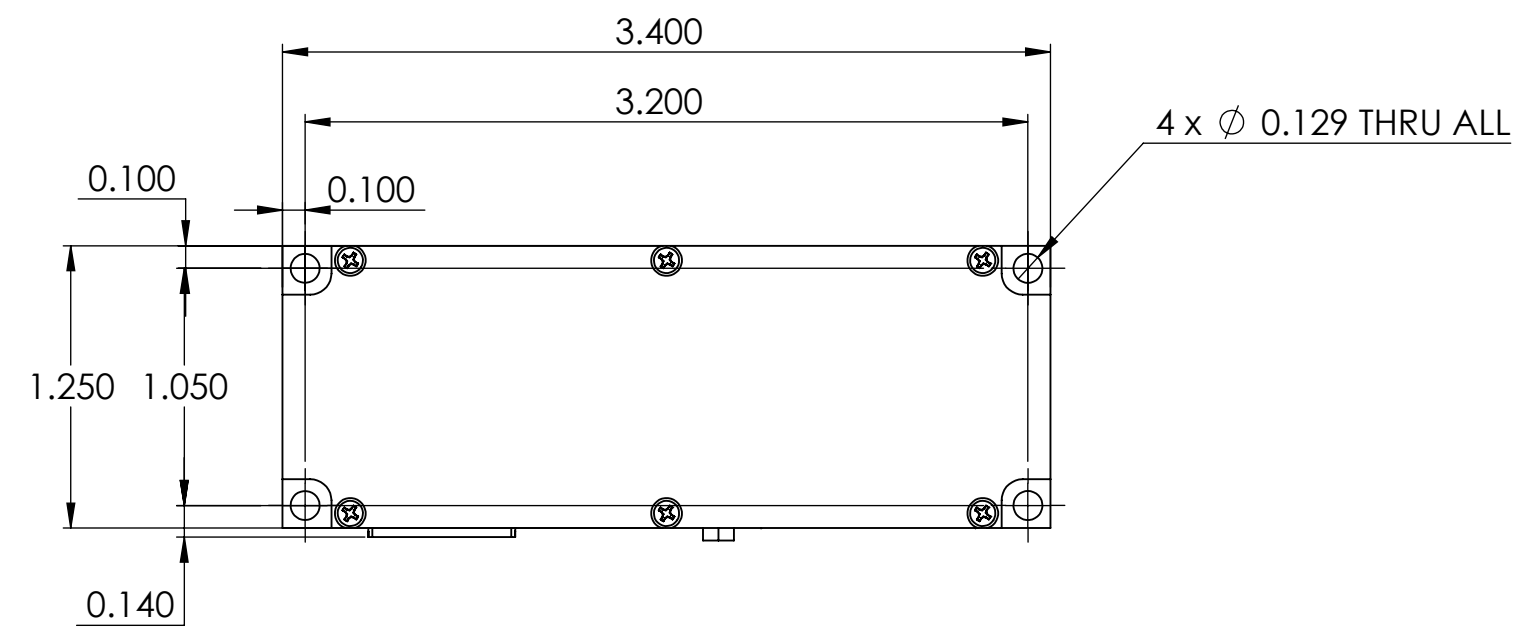



PROPRIETARY AND CONFIDENTIAL
 THE INFORMATION CONTAINED IN THIS DRAWING IS THE SOLE PROPERTY OF QUASONIX INC. ANY REPRODUCTION IN PART OR AS A WHOLE WITHOUT THE WRITTEN PERMISSION OF QUASONIX INC. IS PROHIBITED.



UNLESS OTHERWISE SPECIFIED: DIMENSIONS ARE IN INCHES TOLERANCES ARE: ANGULAR: MACH/BEND ± .5° ONE PLACE DECIMAL ±0.1 TWO PLACE DECIMAL ±0.03 THREE PLACE DECIMAL ±0.010 FRACTIONS ±1/32 DO NOT SCALE DRAWING	NAME	DATE	 TITLE: 01BA	
	DRAWN	MBS		02/01/2024
	ENG APPR.	MBS	02/01/2024	SIZE B
	MATERIAL:			
FINISH:			REV N/A	
HOLE DIA. TOLERANCE .0135 THRU .125 +.004 -.001 .126 THRU .250 +.005 -.001 .251 THRU .500 +.006 -.001 .501 THRU .750 +.008 -.001 .751 THRU 1.000 +.010 -.001 1.001 THRU 2.000 +.012 -.001		SCALE: 1:1 CAGE CODE: 3CJA9	SHEET 1 OF 1	