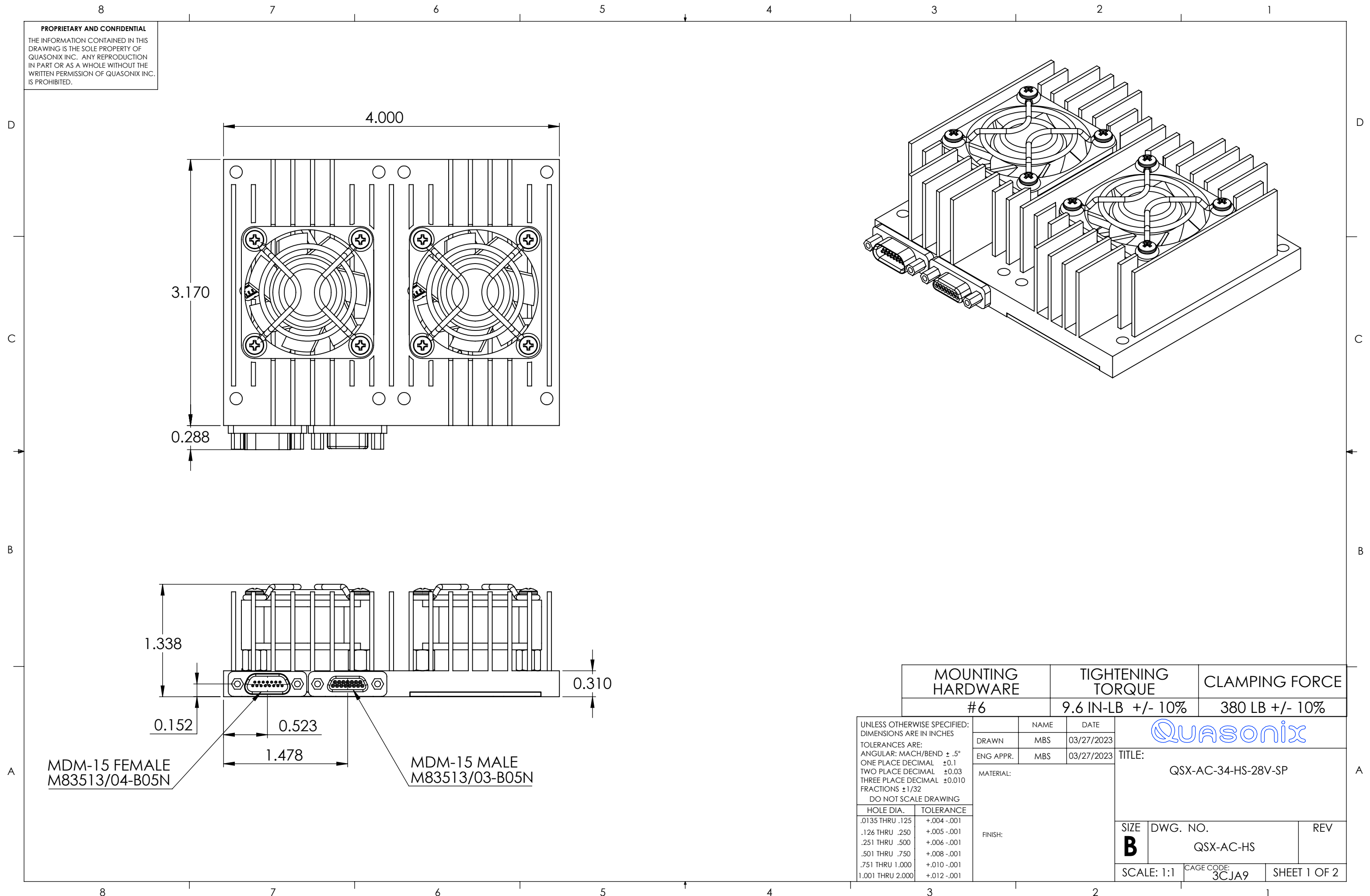



PROPRIETARY AND CONFIDENTIAL
 THE INFORMATION CONTAINED IN THIS DRAWING IS THE SOLE PROPERTY OF QUASONIX INC. ANY REPRODUCTION IN PART OR AS A WHOLE WITHOUT THE WRITTEN PERMISSION OF QUASONIX INC. IS PROHIBITED.

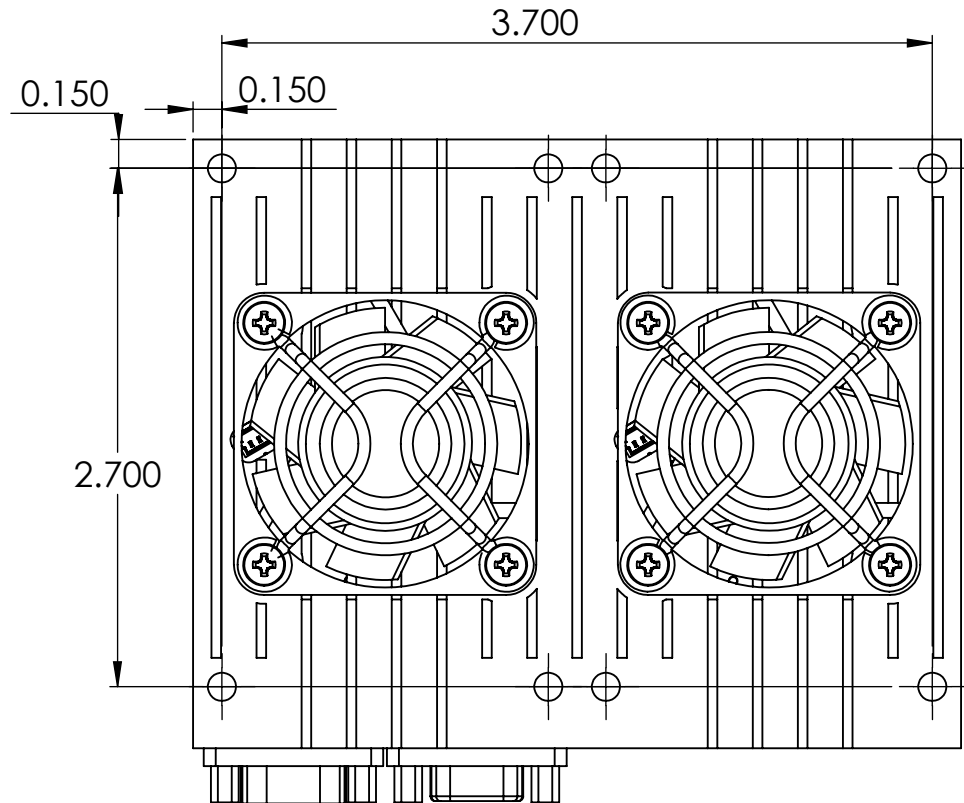


MDM-15 FEMALE
M83513/04-B05N

MDM-15 MALE
M83513/03-B05N

MOUNTING HARDWARE		TIGHTENING TORQUE		CLAMPING FORCE	
#6		9.6 IN-LB +/- 10%		380 LB +/- 10%	
UNLESS OTHERWISE SPECIFIED: DIMENSIONS ARE IN INCHES TOLERANCES ARE: ANGULAR: MACH/BEND ± .5° ONE PLACE DECIMAL ±0.1 TWO PLACE DECIMAL ±0.03 THREE PLACE DECIMAL ±0.010 FRACTIONS ±1/32 DO NOT SCALE DRAWING		NAME	DATE	 TITLE: QSX-AC-34-HS-28V-SP	
DRAWN	MBS	03/27/2023	ENG APPR.		
HOLE DIA.		FINISH:		MATERIAL:	
.0135 THRU .125	+ .004 - .001			SIZE	
.126 THRU .250	+ .005 - .001			DWG. NO.	
.251 THRU .500	+ .006 - .001			REV	
.501 THRU .750	+ .008 - .001			B QSX-AC-HS	
.751 THRU 1.000	+ .010 - .001			SCALE: 1:1	
1.001 THRU 2.000	+ .012 - .001			CAGE CODE: 3CJA9	
				SHEET 1 OF 2	

PROPRIETARY AND CONFIDENTIAL
THE INFORMATION CONTAINED IN THIS DRAWING IS THE SOLE PROPERTY OF QUASONIX INC. ANY REPRODUCTION IN PART OR AS A WHOLE WITHOUT THE WRITTEN PERMISSION OF QUASONIX INC. IS PROHIBITED.



SIZE	DWG. NO.	REV
B	QSX-AC-HS	
SCALE: 1:1	CAGE CODE: 3CJA9	SHEET 2 OF 2