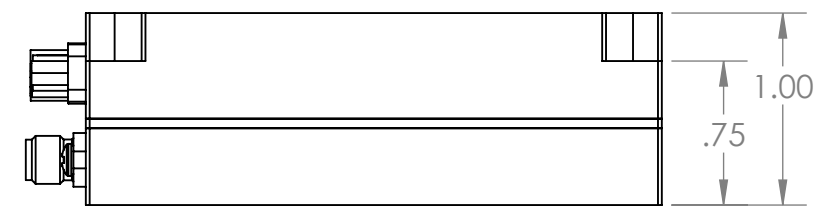
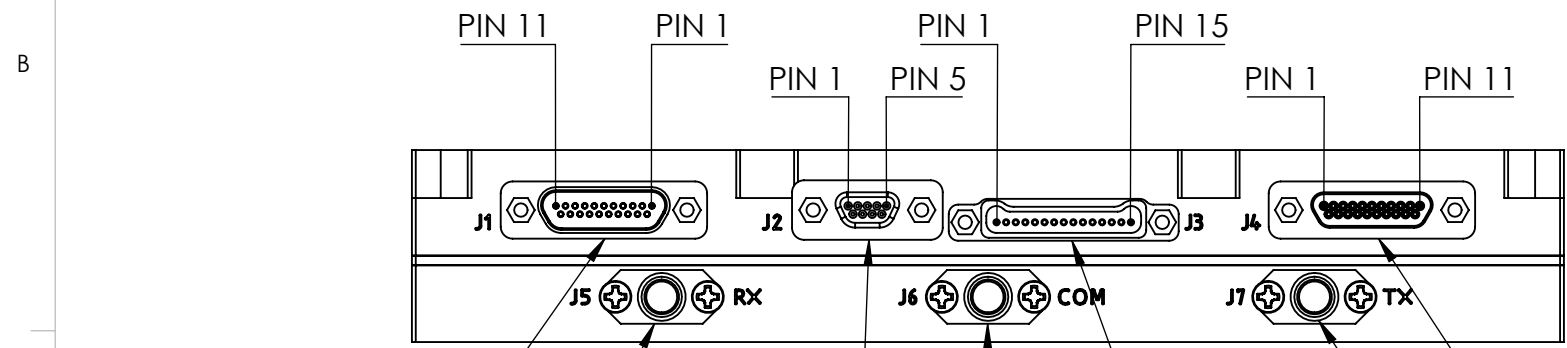
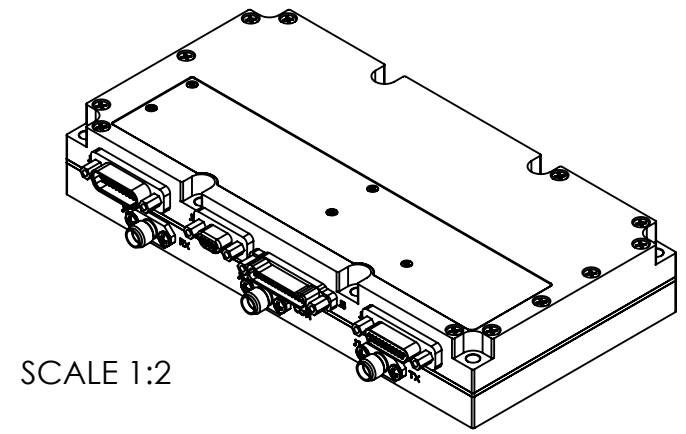
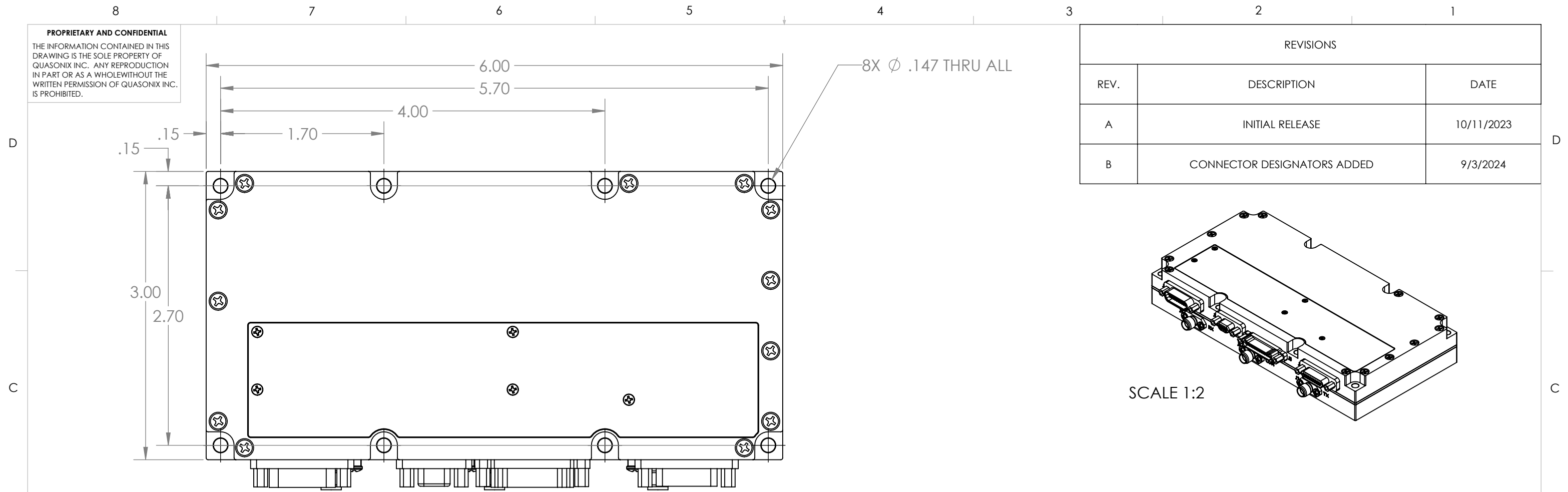


PROPRIETARY AND CONFIDENTIAL
 THE INFORMATION CONTAINED IN THIS DRAWING IS THE SOLE PROPERTY OF QUASONIX INC. ANY REPRODUCTION IN PART OR AS A WHOLE WITHOUT THE WRITTEN PERMISSION OF QUASONIX INC. IS PROHIBITED.

REVISIONS		
REV.	DESCRIPTION	DATE
A	INITIAL RELEASE	10/11/2023
B	CONNECTOR DESIGNATORS ADDED	9/3/2024



RECEIVER INTERFACE MDM-21 (F)
 RECEIVER RF SMA(F)
 ETHERNET INTERFACE MDM-9(M)
 ANTENNA RF SMA(F)
 NODE CONTROLLER INTERFACE GSM-15(F)
 TRANSMITTER INTERFACE MDM-21 (M)
 TRANSMITTER RF SMA(F)

UNLESS OTHERWISE SPECIFIED:
 DIMENSIONS ARE IN INCHES
 TOLERANCES ARE:
 ANGULAR: MACH ±1 BEND ±1
 ONE PLACE DECIMAL ±0.1
 TWO PLACE DECIMAL ±0.01
 THREE PLACE DECIMAL ±0.003
 FRACTIONS ±1/32
 DO NOT SCALE DRAWING

HOLE DIA.	TOLERANCE
.0135 THRU .125	+ .004 - .001
.126 THRU .250	+ .005 - .001
.251 THRU .500	+ .006 - .001
.501 THRU .750	+ .008 - .001
.751 THRU 1.000	+ .010 - .001
1.001 THRU 2.000	+ .012 - .001

	NAME	DATE
DRAWN	NFE	10/11/2023
ENG APPR.	NFE	09/03/2024
MATERIAL:		
FINISH:		

QUASONIX

TITLE: EVTM NODE CONTROLLER MODULE

SIZE B	DWG. NO. QS-EVTM-TDDNC_ICD	REV B
SCALE: 1:1	CAGE CODE: 3CJA9	SHEET 1 OF 1