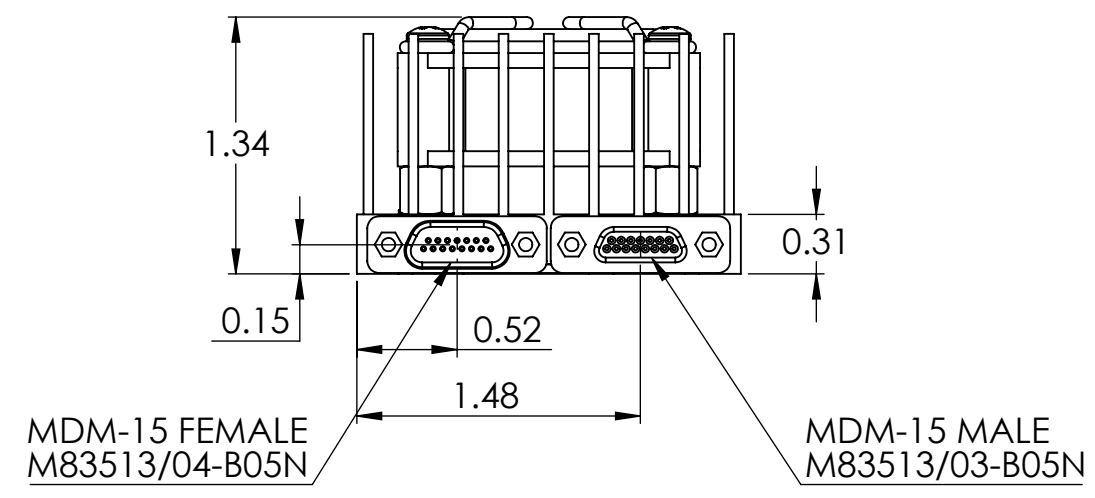
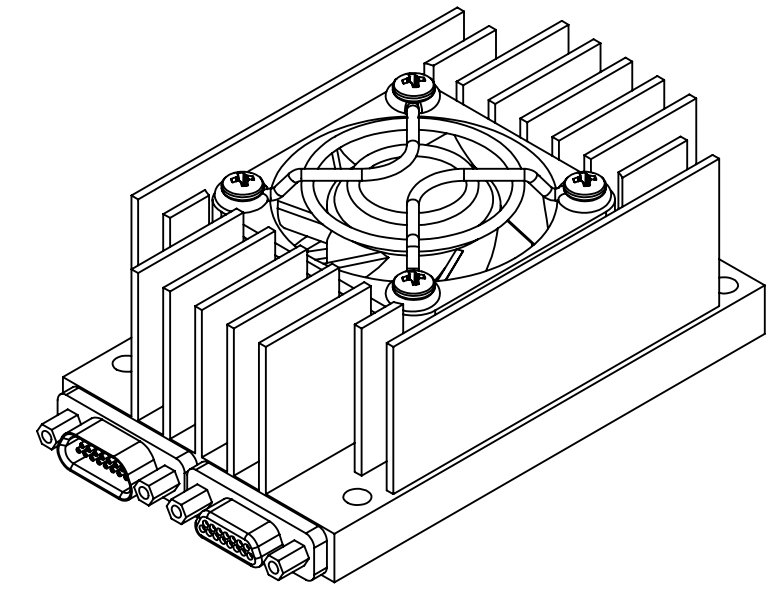
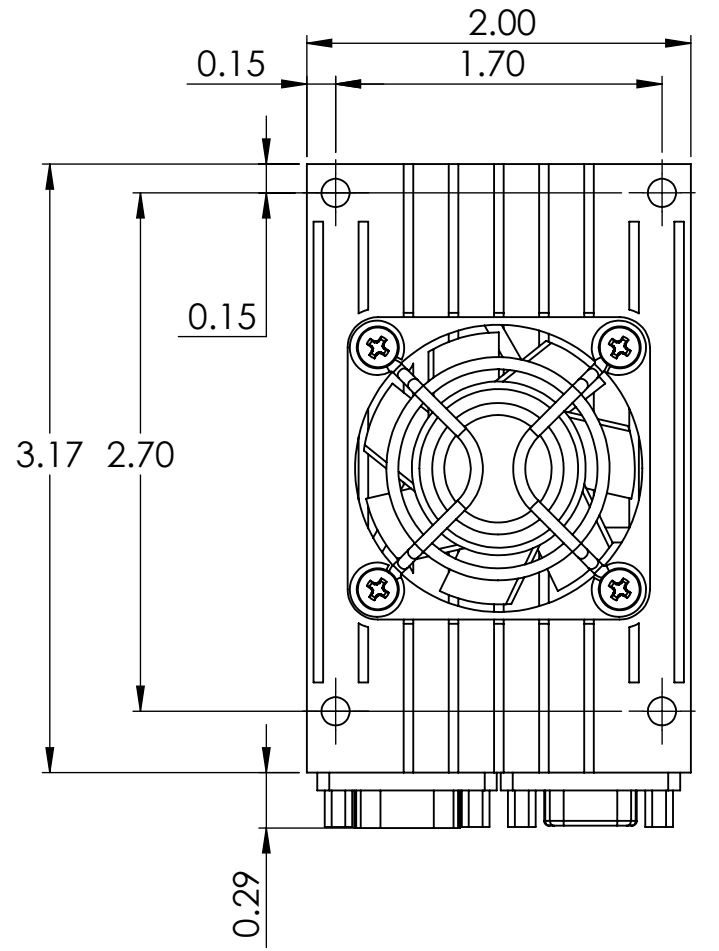



PROPRIETARY AND CONFIDENTIAL
 THE INFORMATION CONTAINED IN THIS DRAWING IS THE SOLE PROPERTY OF QUASONIX INC. ANY REPRODUCTION IN PART OR AS A WHOLE WITHOUT THE WRITTEN PERMISSION OF QUASONIX INC. IS PROHIBITED.



MOUNTING HARDWARE	TIGHTENING TORQUE	CLAMPING FORCE
#6	9.6 IN-LB +/- 10%	380 LB +/- 10%

UNLESS OTHERWISE SPECIFIED: DIMENSIONS ARE IN INCHES TOLERANCES ARE: ANGULAR: MACH/BEND ± .5° ONE PLACE DECIMAL ±0.1 TWO PLACE DECIMAL ±0.03 THREE PLACE DECIMAL ±0.010 FRACTIONS ±1/32 DO NOT SCALE DRAWING	NAME	DATE	 TITLE: QSX-AC-32-HS-28V-SP
	DRAWN	MBS 11/02/2023	
	ENG APPR.	MBS 11/02/2023	
	FINISH:	MATERIAL:	